



D. 4900 PUNCHED GRILLE INSERTS AND GRILLE BARS

Replace **XX** in the grille part number with a punch from the punch options table. (Each)

GRILLE DIMENSIONS

Please use the diagrams on the left to determine the right part for your truck.

- 1** - 4900EX Long Hood
- 2** - 4900EX LowMax
- 3** - 4900FA Short Hood

1. 4900EX LONG HOOD

Punched Grille Insert (Kit)

65139-XX N65139-XX

32" Vertical Grille Bars (Each)

19500-32 N19500-32

40.5" Horizontal Grille Bars (Each)

19500-405 N19500-405

2. 4900EX LOWMAX

Punched Grille Insert (Kit)

65129-XX N65129-XX

28.5" Vertical Grille Bars (Each)

19500-285 N19500-285

40.5" Horizontal Grille Bars (Each)

19500-405 N19500-405

3. 4900FA SHORT HOOD

Punched Grille Insert (Kit)

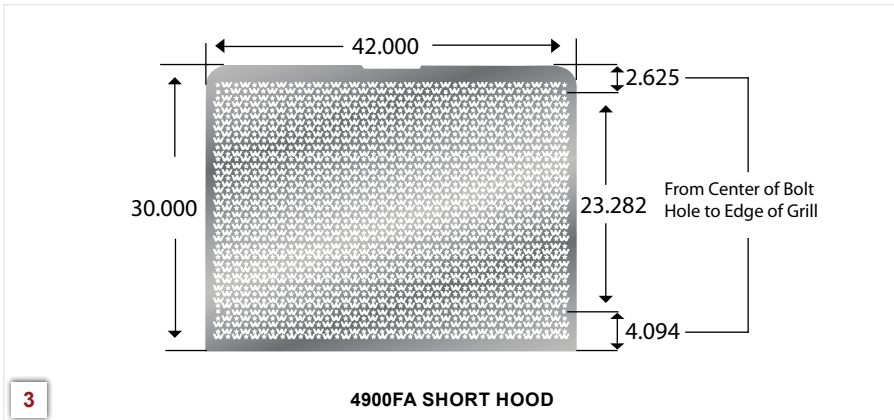
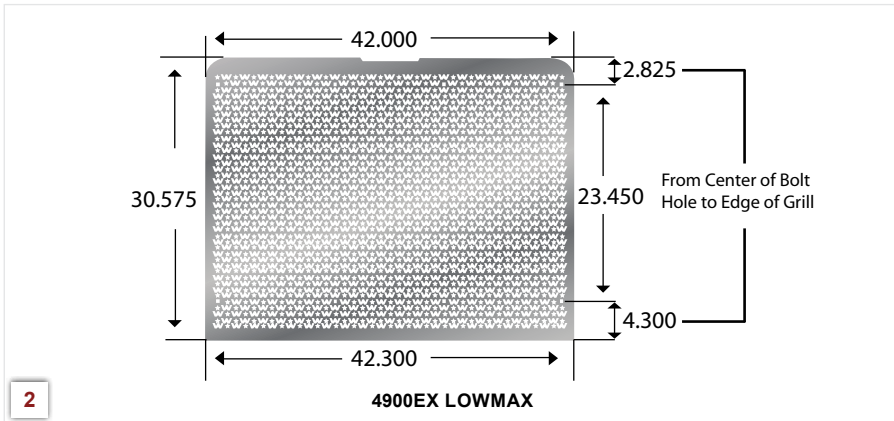
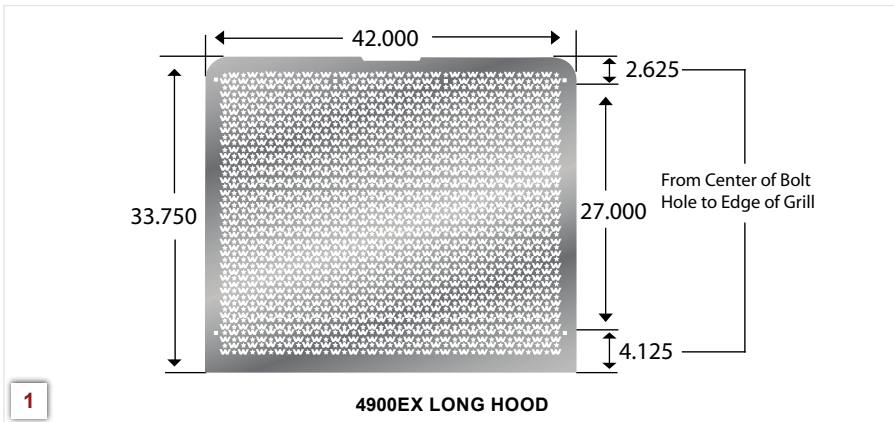
65149-XX N65149-XX

28" Vertical Grille Bars (Each)

19500-28 N19500-28

41" Horizontal Grille Bars (Each)

19500-41 N19500-41



To upgrade Grille Insert to heavier 14 Gauge material add (SD) to the end of regular part number. Example: 65139-48SD

PUNCH OPTIONS

View punch styles inside back cover.

- 23 Small 1/4" Circles
- 24 Large 7/16" Circles
- 28 Hexagons
- 30 Horizontal Rectangles
- 31 Vertical Rectangles
- 32 5/16" In-Line Squares
- 33 5/16" Offset Squares
- 36 Horizontal Oval Holes
- 37 Vertical Ovals
- 38 Horizontal 3/16" Oblong
- 39 Vertical 3/16" Oblong
- 40 Horizontal 5/16" Oblong
- 41 Vertical 5/16" Oblong
- 46 Stars
- 47 Snake Skin
- 48 W and Stars (W*W*W*)

See page 327 for additional Kenworth Style Grille Bar sizes.

N *The part numbers beginning with 'N' in the right-sided column designate 304 stainless material. 304 stainless has enhanced corrosion resistance.