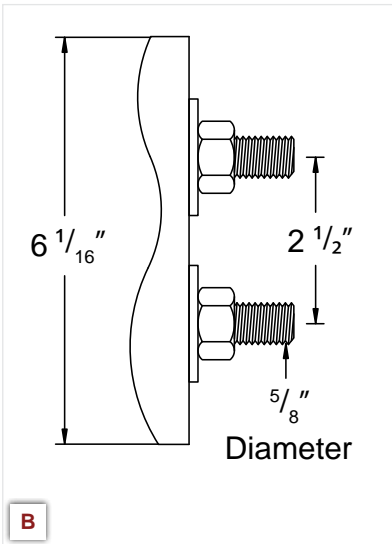


2 PIECE REAR LIGHT BARS

UNIVERSAL



2 PIECE REAR LIGHT BARS WITH STOP / TURN / TAIL LIGHTS

Includes hardware to attach two flaps and 24" accents. See diagram F for measurement details. (Pair)

- C. 11679 N11679**
Blank Face and (2) Super 21 End Lights
(8) Round 4" Stop/Turn/Tail Lights and (2) Super 21 End Lights
- D. 11675B N11675B**
(6) Round 4" Stop/Turn/Tail Lights and (2) Super 21 Lights
- E. 11670B N11670B**
Blank 2-Piece Rear Light Bar
- F. 10679 N10679**
(6) Round 4" Stop/Turn/Tail Lights, (2) 4" Round Backup Lights and (2) Super 21 Lights
- G. 11676B N11676B**
(2) Round 4" Stop/Turn/Tail Light and (2) Super 21 Lights
- H. 11680B N11680B**



END LIGHTS (Pair)

Available with or without Super 21 Lights. See chart at bottom of page for lighting options.



Center Section	Round 4"	Oval	Rectangular	Ovals Angled V	Ovals Angled A
8 Red Lights, No End Light	10675B	N/A	10677B	N/A	N/A
8 Red Lights, With Super 21 End Light	11675B	N/A	11677B	N/A	N/A
6 Red and 2 Back up Lights, No End Light	10676B	N/A	10678B	N/A	N/A
6 Red and 2 Back up Lights, With Super 21 End Light	11676B	N/A	11678B	N/A	N/A
6 Red Lights, No End Light	10670B	10671B	10672B	10673B	10674B
6 Red Lights, With Super 21 End Light	11670B	11671B	11672B	11673B	11674B
2 Red Lights, No End Light	10680B	10681B	10682B	10683B	10684B
2 Red Lights, With Super 21 End Light	11680B	11681B	11682B	11683B	11684B

N *The part numbers beginning with 'N' in the right-sided column designate 304 stainless material. 304 stainless has enhanced corrosion resistance.