

1-PIECE REAR BAR MOUNTING KITS
Powder coated black, all mounting hardware included.
(Pair)

Below Frame Bracket Kit

F. 15001

Side of Frame Bracket Kit

G. 15002

1-PIECE REAR LIGHT BAR COMPONENTS AND MOUNTING BRACKETS

H. Bar may be ordered with or without lights, grommets and harnesses.

TAIL LIGHT BRACKETS (Pair)
Reflector included with each bracket.

Tail Light Brackets with Oval / Backup lights Combo

I. 10599 N10599

ADDITIONAL FLAP HANGERS

Put 4 flaps on your 1 piece bar by adding this kit of 2 accent trims and 2 angle mount brackets! (Flaps not included)

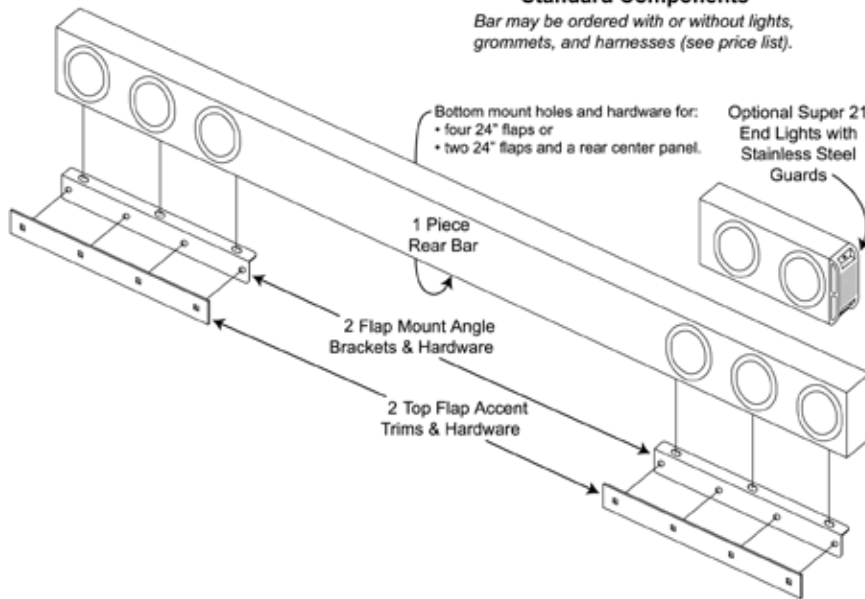
H

2" x 24" Top Flap Accent Trims with angle mount brackets (4 piece kit)

J. 10426A N10426A

Standard Components

Bar may be ordered with or without lights, grommets, and harnesses (see price list).



See Page 365 for Flap Accents and Accessories.



N *The part numbers beginning with 'N' in the right-sided column designate 304 stainless material. 304 stainless has enhanced corrosion resistance.