



**2 PIECE REAR LIGHT BAR
ANGLED ENDS (Pair)**

(6) Round 4" Stop/Turn/Tail Lights

- A. 11790 N11790**

**2 PIECE REAR LIGHT BARS
WITH FACTORY BOLT SPACING**

1/2" bolts, 1 3/16" spacing with flap angle for attaching flaps and top accent. Standard size. See figure 3 and 4 for measurement details. (Pair)

4 5/16" Face, 6 Oval Lights

- B. 10776 N10776**

4 5/16" Face, Blank

- 10775 N10775**

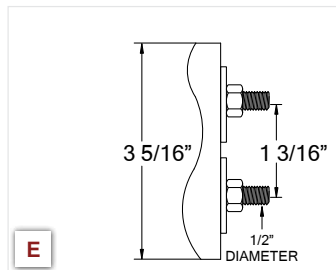
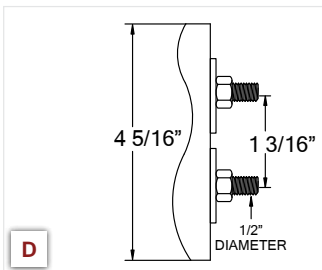
3 5/16" Face, Blank

- C. 10770 N10770**

For spacing,
see diagram D



For spacing,
see diagram E

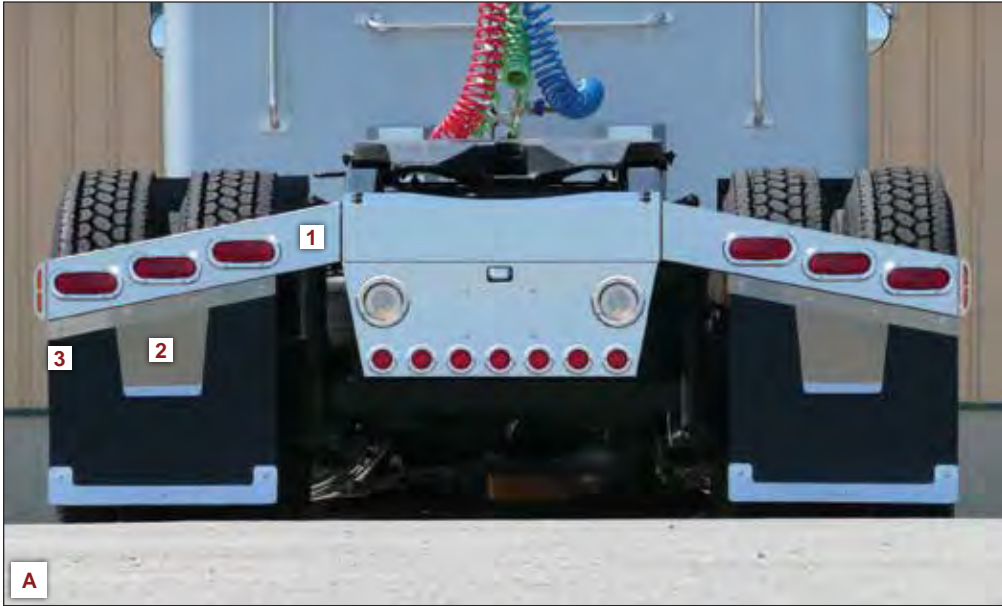


**STOP/TURN/TAIL WITH INTEGRATED
BACKUP LIGHTS AVAILABLE FOR
OVAL AND 4" ROUND LIGHTS**

To order Stop/Turn/Tail with Integrated Backup lights, use -I on the end of the part number for the original part. Example: Use 11740B-I to order for 11740B.



N *The part numbers beginning with 'N' in the right-sided column designate 304 stainless material. 304 stainless has enhanced corrosion resistance.



ANGLED 2 PIECE REAR LIGHT BAR WITH STOP/TURN/TAI LIGHTS WITHOUT END LIGHTS

5/8" bolts, 2 1/2" spacing. (see diagram B, page 337)
Includes hardware to attach two flaps and 24" accents. (Pair)

- (6) Red 4" Round Lights
11740B N11740B

- (6) Red Level Oval Lights
11741B N11741B

- (6) Red Level Rectangular Lights
11742B N11742B

- (6) Red Sloped Oval Lights
11743B N11743B

- (6) Red Sloped Rectangular Lights
11744B N11744B

- (8) Red 4" Round Lights
11745B N11745B

- (6) Red and (2) Back Up 4" Round Lights
11746B N11746B

- (8) Red Level Rectangular Lights
11747B N11747B

- (6) Red and (2) Back Up Level Rectangular Lights
11748B N11748B

- Blank
11749 N11749

- (2) Red 4" Round Lights
11750B N11750B

- (2) Red Level Oval Lights
11751B N11751B

- (2) Red Level Rectangular Lights
11752B N11752B

- (2) Red Sloped Oval Lights
11753B N11753B

- (2) Red Sloped Rectangular Lights
11754B N11754B

- (8) Red Sloped Rectangular Lights
11755B N11755B

- (6) Red and (2) Back Up Sloped Rectangular Lights
11756B N11756B

ANGLED 2 PIECE REAR LIGHT BAR WITH STOP/TURN/TAI LIGHTS AND WITH SUPER 21 END LIGHTS

5/8" bolts, 2 1/2" spacing. (see diagram B, page 337)
Includes hardware to attach two flaps and 24" accents. (Pair)

- (6) Red 4" Round Lights
11770B N11770B

- A. 1 - (6) Red Level Oval Lights**
11771B N11771B

- (6) Red Level Rectangular Lights
11772B N11772B

- (6) Red Sloped Oval Lights
11773B N11773B

- (6) Red Sloped Rectangular Lights
11774B N11774B

- (8) Red 4" Round Lights
11775B N11775B

- (6) Red and (2) Back Up 4" Round Lights
11776B N11776B

- (8) Red Level Rectangular Lights
11777B N11777B

- (6) Red and (2) Back Up Level Rectangular Lights
11778B N11778B

- Blank
11779 N11779

- (2) Red 4" Round Lights
11780B N11780B

- (2) Red Level Oval Lights
11781B N11781B

- (2) Red Level Rectangular Lights
11782B N11782B

- (2) Red Sloped Oval Lights
11783B N11783B

- (2) Red Sloped Rectangular Lights
11784B N11784B

- (8) Red Sloped Rectangular Lights
11785B N11785B

- (6) Red and (2) Back Up Sloped Rectangular Lights
11786B N11786B



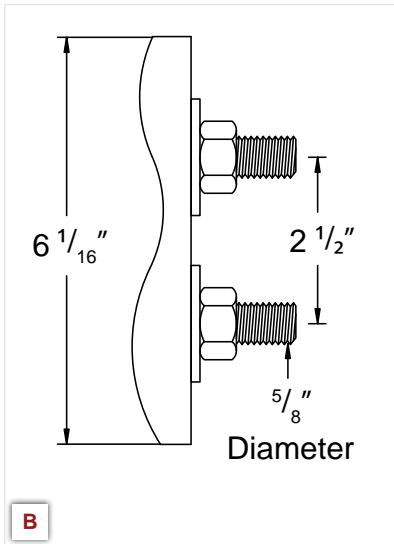
ANTI-SAIL PANELS

- 2 - Anti-sail panels - Includes hardware. (Pair)**
11739 N11739

- 3 - Replacement Mud Flap Top Accent Trims For Angled 2-Piece Rear Light Bars**
11736 N11736

2 PIECE REAR LIGHT BARS

UNIVERSAL



2 PIECE REAR LIGHT BARS WITH STOP / TURN / TAIL LIGHTS

Includes hardware to attach two flaps and 24" accents. See diagram F for measurement details. (Pair)

- C. 11679 N11679**
Blank Face and (2) Super 21 End Lights
(8) Round 4" Stop/Turn/Tail Lights and (2) Super 21 End Lights
- D. 11675B N11675B**
(6) Round 4" Stop/Turn/Tail Lights and (2) Super 21 Lights
- E. 11670B N11670B**
Blank 2-Piece Rear Light Bar
- F. 10679 N10679**
(6) Round 4" Stop/Turn/Tail Lights, (2) 4" Round Backup Lights and (2) Super 21 Lights
- G. 11676B N11676B**
(2) Round 4" Stop/Turn/Tail Light and (2) Super 21 Lights
- H. 11680B N11680B**



END LIGHTS (Pair)

Available with or without Super 21 Lights. See chart at bottom of page for lighting options.



Center Section	Round 4"	Oval	Rectangular	Ovals Angled V	Ovals Angled A
8 Red Lights, No End Light	10675B	N/A	10677B	N/A	N/A
8 Red Lights, With Super 21 End Light	11675B	N/A	11677B	N/A	N/A
6 Red and 2 Back up Lights, No End Light	10676B	N/A	10678B	N/A	N/A
6 Red and 2 Back up Lights, With Super 21 End Light	11676B	N/A	11678B	N/A	N/A
6 Red Lights, No End Light	10670B	10671B	10672B	10673B	10674B
6 Red Lights, With Super 21 End Light	11670B	11671B	11672B	11673B	11674B
2 Red Lights, No End Light	10680B	10681B	10682B	10683B	10684B
2 Red Lights, With Super 21 End Light	11680B	11681B	11682B	11683B	11684B

N *The part numbers beginning with 'N' in the right-sided column designate 304 stainless material. 304 stainless has enhanced corrosion resistance.

1 PIECE REAR LIGHT BARS



END LIGHTS (Pair)

Add "-01" to the end of the part number to receive Super 21 end lights with stainless steel guards on your 1-piece rear bar. Remove the "-01" from the end of the part number to receive blank ends (without lights) on 1-piece rear bar.

*Rectangular Backup lights are incandescent.

1 PIECE REAR LIGHT BARS WITH 8 STOP / TURN / TAIL LIGHTS (Each)

Includes hardware to attach two flaps and 24" accents.

- (8) Round 4" Stop/Turn/Tail Lights and Bezels
- (5) 2" Round Lights and Bezels
- (2) Super 21 Lights and Bezels

A. 15404B-01 N15404B-01

- (8) Oval Stop/Turn/Tail Lights and Bezels
- (2) Super 21 End Lights and Bezels

B. 15410B-01 N15410B-01

- (8) Rectangular Stop/Turn/Tail Lights
- (2) Super 21 End Lights and Bezels

C. 15420B-01 N15420B-01

- (8) Oval Stop/Turn/Tail Lights Angled { \\\ \ \ \ }
- (5) 2" Round Lights
- (2) Super 21 End Lights and Bezels

D. 15434B-01 N15434B-01



MOUNTING BRACKETS NOT INCLUDED

See Page 343 for Mounting Bracket Options.

STOP/TURN/TAIL WITH INTEGRATED BACKUP LIGHTS AVAILABLE FOR OVAL AND 4" ROUND LIGHTS

To order Stop/Turn/Tail with Integrated Backup lights, use -I on the end of the part number for the original part. Example: 15404B-01-I to order light with A above.



Center Section	Round 4"	Oval	Rectangular	Ovals Angled V	Ovals Angled A
Without Lights, Without Center Holes	15400B (8+0)	15410B (8+0)	15420B (8+0)	15430B (8+0)	15440B (8+0)
2" Round Flat Lights	15404B (8+5)	15414B (8+3)	15424B (8+5)	15434B (8+5)	15444B (8+5)
2" Round Beehive Lights	15405B (8+5)	15415B (8+3)	15425B (8+5)	15435B (8+5)	15445B (8+5)

1 PIECE REAR LIGHT BARS

UNIVERSAL



E



F



END LIGHTS (Pair)

Add "-01" to the end of the part number to receive Super 21 end lights with stainless steel guards on your 1-piece rear bar. Remove the "-01" from the end of the part number to receive blank ends (without lights) on 1-piece rear bar.

*Rectangular Backup lights are incandescent.



1 PIECE REAR LIGHT BAR WITH 6 STOP /TURN / TAIL AND 2 BACK UP LIGHTS (Each)

Includes hardware to attach two flaps and 24" accents.

- (6) Round 4" Stop/Turn/Tail Lights
- (2) Round 4" Backup Lights
- (2) Super 21 Lights and Bezels

E. 15500B-01 N15500B-01

- (6) Round 4" Stop/Turn/Tail Lights
- (2) Round 4" Backup Lights
- (5) 2" Round Lights
- (2) Super 21 Lights and Bezels

F. 15504B-01 N15504B-01

MOUNTING BRACKETS NOT INCLUDED

See Page 343 for Mounting Bracket Options.



Center Section	Round 4"	Oval	Rectangular	Ovals Angled V	Ovals Angled A
Without Lights, Without Center Holes	15500B (6+2+0)	N/A	N/A	N/A	N/A
2" Round Flat Lights	15504B (6+2+5)	N/A	N/A	N/A	N/A
2" Round Beehive Lights	15505B (6+2+5)	N/A	N/A	N/A	N/A



N *The part numbers beginning with 'N' in the right-sided column designate 304 stainless material. 304 stainless has enhanced corrosion resistance.

1 PIECE REAR LIGHT BARS



END LIGHTS (Pair)

Add "-01" to the end of the part number to receive Super 21 end lights with stainless steel guards on your 1-piece rear bar. Remove the "-01" from the end of the part number to receive blank ends (without lights) on 1-piece rear bar.

*Rectangular Backup lights are incandescent.

1 PIECE REAR LIGHT BARS WITH 2 STOP / TURN / TAIL LIGHTS (Each)

Includes hardware to attach two flaps and 24" accents. Oval lights are not available as back-up lights.

(2) Round 4" Stop/Turn/Tail Lights, (2) Super 21 End Lights and Bezels

A. 15100B-01 N15100B-01

(2) Round Stop/Turn/Tail Lights, (13) 2" Round Lights, (2) Super 21 End Lights and Bezels

B. 15104B-01 N15104B-01

(2) Oval Stop/Turn/Tail Lights, (13) 2" Round Lights, (2) Super 21 End Lights and Bezels

C. 15114B-01 N15114B-01

(2) Rectangular Stop/Turn/Tail Lights, (13) 2" Round Lights, (2) Super 21 End Lights and Bezels

D. 15124B-01 N15124B-01



STOP/TURN/TAIL WITH INTEGRATED BACKUP LIGHTS AVAILABLE FOR OVAL AND 4" ROUND LIGHTS

To order Stop/Turn/Tail with Integrated Backup lights, use -I on the end of the part number for the original part. Example: 15104B-01-I to order light with B above.



MOUNTING BRACKETS NOT INCLUDED

See Page 343 for Mounting Bracket Options.



Center Section	Round 4"	Oval	Rectangular	Ovals Angled V	Ovals Angled A
Without Lights, Without Center Holes	15100B (2+0)	15110B (2+0)	15120B (2+0)	15130B (2+0)	15140B (2+0)
2" Round Flat Lights	15104B (2+13)	15114B (2+13)	15124B (2+13)	15134B (2+13)	15144B (2+13)
2" Round Beehive Lights	15105B (2+13)	15115B (2+13)	15125B	15135B (2+13)	15145B (2+13)

1 PIECE REAR LIGHT BARS



END LIGHTS (Pair)

Add "-01" to the end of the part number to receive Super 21 end lights with stainless steel guards on your 1-piece rear bar. Remove the "-01" from the end of the part number to receive blank ends (without lights) on 1-piece rear bar.

*Rectangular Backup lights are incandescent.

1 PIECE REAR LIGHT BARS WITH 6 STOP / TURN / TAIL LIGHTS (Each)

Includes hardware to attach two flaps. Mounting brackets sold separately.

(6) Round 4" Stop/Turn/Tail Lights, (7) 2" Round Lights, (2) Super 21 Lights and Bezels

E. 15304B-01 N15304B-01

(6) Oval Stop/Turn/Tail Lights, (6) 2" Round Lights, (2) Super 21 End Lights and Bezels

F. 15314B-01 N15314B-01

(6) Rectangular Stop/Turn/Tail Lights, (7) 2" Round Lights, (2) Super 21 End Lights and Bezels

G. 15324B-01 N15324B-01

(6) Oval Stop/Turn/Tail Lights Angled \wedge , (7) 2" Round Lights, (2) Super 21 End Lights and Bezels

H. 15344B-01 N15344B-01

MOUNTING BRACKETS NOT INCLUDED

See Page 343 for Mounting Bracket Options.



Center Section	Round 4"	Oval	Rectangular	Ovals Angled V	Ovals Angled \wedge
Without Lights, Without Center Holes	15300B (6+0)	15310B (6+0)	15320B (6+0)	15330B (6+0)	15340B (6+0)
2" Round Flat Lights	15304B (6+7)	15314B (6+6)	15324B (6+7)	15334B (6+7)	15344B (6+7)
2" Round Beehive Lights	15305B (6+7)	15315B (6+6)	15325B (6+7)	15335B (6+7)	15345B (6+7)

N *The part numbers beginning with 'N' in the right-sided column designate 304 stainless material. 304 stainless has enhanced corrosion resistance.

1 PIECE REAR LIGHT BARS



END LIGHTS (Pair)

Add "-01" to the end of the part number to receive Super 21 end lights with stainless steel guards on your 1-piece rear bar. Remove the "-01" from the end of the part number to receive blank ends (without lights) on 1-piece rear bar.

*Rectangular Backup lights are incandescent.

1 PIECE REAR LIGHT BARS LOADED WITH LIGHTS (Each)

Includes hardware to attach two flaps and 24" accents.

- (10) Round 4" Stop / Turn / Tail Lights, and Bezels
- A. 15080B-01 N15080B-01**
- (10) Oval Stop / Turn / Tail Lights, and Bezels
- B. 15081B-01 N15081B-01**
- (10) Rectangular Stop / Turn / Tail Lights, and Bezels
- C. 15082B-01 N15082B-01**
- (10) Oval Stop / Turn / Tail Lights Angled \\\ / \\\ / \\\ /, and Bezels
- D. 15083B-01 N15083B-01**
- (10) Oval Stop / Turn / Tail Lights Angled \\\ / \\\ / \\\ /, and Bezels
- 15084B-01 N15084B-01**
- (24) 2" Flat Round Tail Lights and Bezels
Flat lights will not operate as turn or stop lights, they are tail lights only.
- E. 15094B-01 N15094B-01**



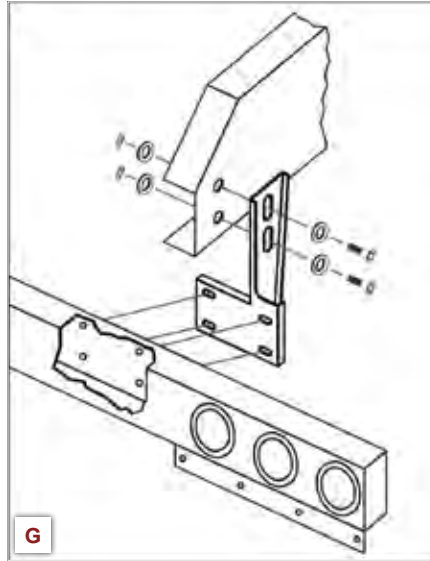
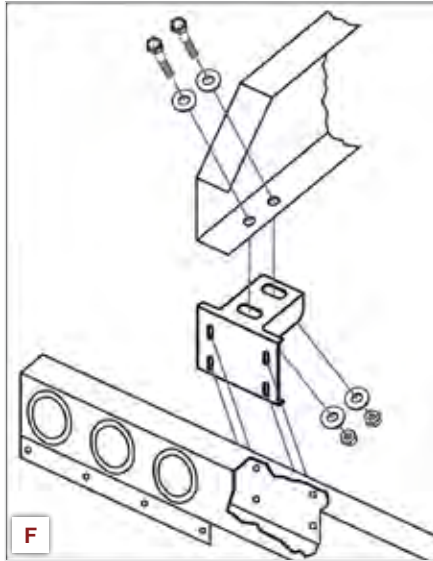
MOUNTING BRACKETS NOT INCLUDED

See Page 343 for Mounting Bracket Options.

STOP/TURN/TAIL WITH INTEGRATED BACKUP LIGHTS AVAILABLE FOR OVAL AND 4" ROUND LIGHTS

To order Stop/Turn/Tail with Integrated Backup lights, use -I on the end of the part number for the original part. Example: 15081B-01-I to order light with B above.





1-PIECE REAR BAR MOUNTING KITS
Powder coated black, all mounting hardware included.
(Pair)

Below Frame Bracket Kit

F. 15001

Side of Frame Bracket Kit

G. 15002

1-PIECE REAR LIGHT BAR COMPONENTS AND MOUNTING BRACKETS

H. Bar may be ordered with or without lights, grommets and harnesses.

TAIL LIGHT BRACKETS (Pair)
Reflector included with each bracket.

Tail Light Brackets with Oval / Backup lights Combo

I. 10599 N10599

ADDITIONAL FLAP HANGERS

Put 4 flaps on your 1 piece bar by adding this kit of 2 accent trims and 2 angle mount brackets! (Flaps not included)

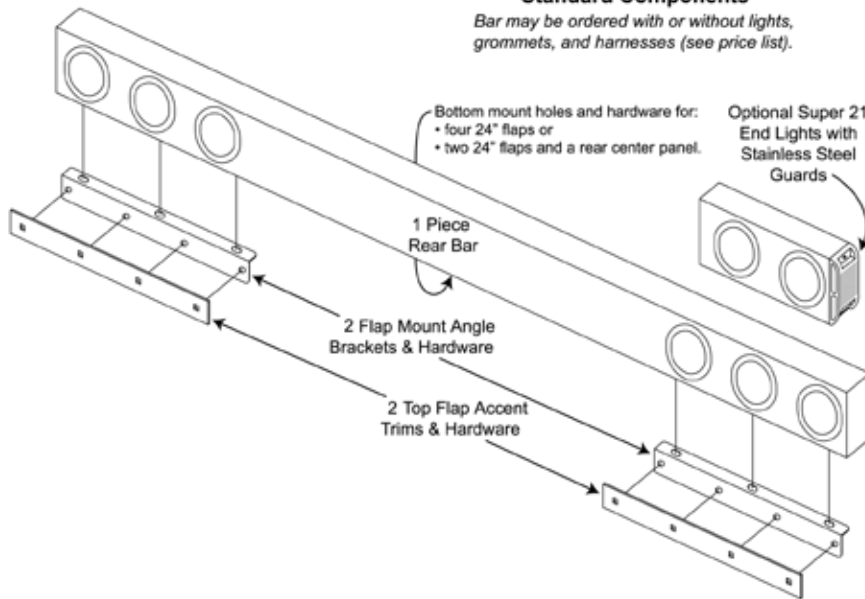
H

2" x 24" Top Flap Accent Trims with angle mount brackets (4 piece kit)

J. 10426A N10426A

Standard Components

Bar may be ordered with or without lights, grommets, and harnesses (see price list).



See Page 345 for Flap Accents and Accessories.



N *The part numbers beginning with 'N' in the right-sided column designate 304 stainless material. 304 stainless has enhanced corrosion resistance.