



**2 PIECE REAR LIGHT BAR
ANGLED ENDS (Pair)**

(6) Round 4" Stop/Turn/Tail Lights

- A. 11790 N11790**

**2 PIECE REAR LIGHT BARS
WITH FACTORY BOLT SPACING**

1/2" bolts, 1 3/16" spacing with flap angle for attaching flaps and top accent. Standard size. See figure 3 and 4 for measurement details. (Pair)

4 5/16" Face, 6 Oval Lights

- B. 10776 N10776**

4 5/16" Face, Blank

- 10775 N10775**

3 5/16" Face, Blank

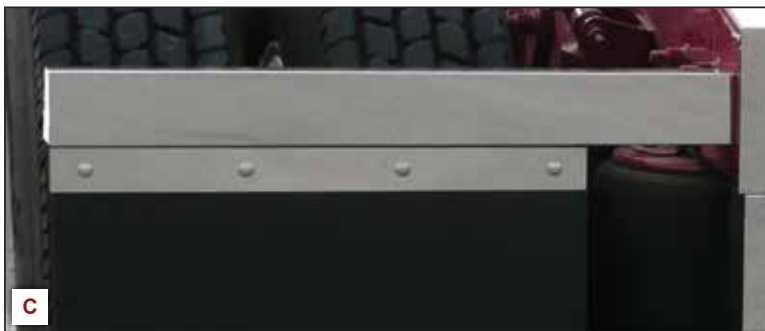
- C. 10770 N10770**

A



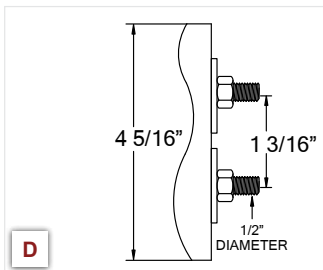
For spacing,
see diagram D

B

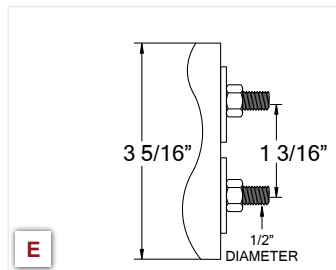


For spacing,
see diagram E

C



D



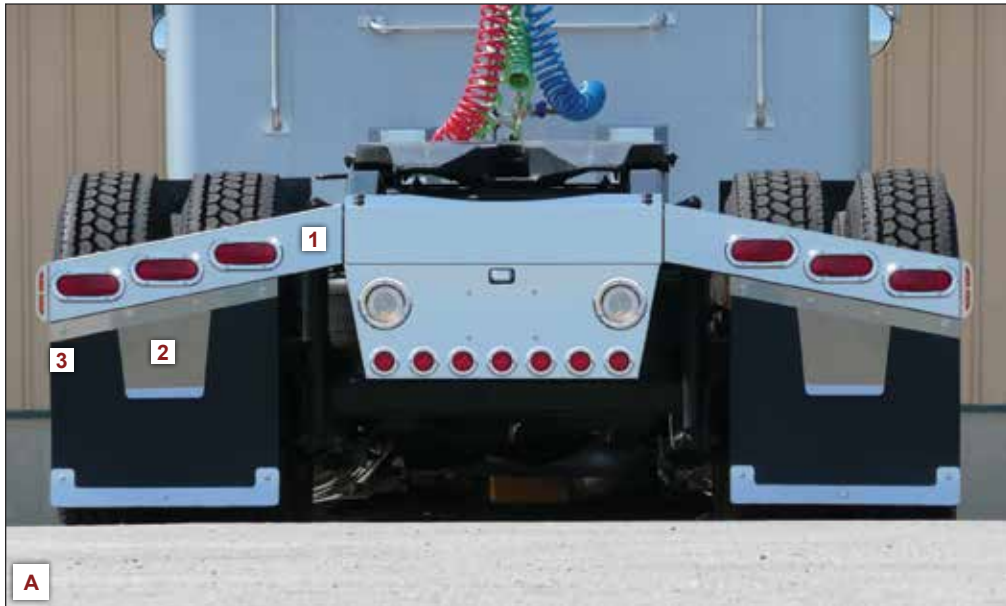
E

**STOP/TURN/TAIL WITH INTEGRATED
BACKUP LIGHTS AVAILABLE FOR
OVAL AND 4" ROUND LIGHTS**

To order Stop/Turn/Tail with Integrated Backup lights, use -I on the end of the part number for the original part. Example: Use 11740B-I to order for 11740B.



N *The part numbers beginning with 'N' in the right-sided column designate 304 stainless material. 304 stainless has enhanced corrosion resistance.



ANGLED 2 PIECE REAR LIGHT BAR WITH STOP/TURN/TAIL LIGHTS WITHOUT END LIGHTS

5/8" bolts, 2 1/2" spacing. (see diagram B, page 357)
Includes hardware to attach two flaps and 24" accents. (Pair)

ANGLED 2 PIECE REAR LIGHT BAR WITH STOP/TURN/TAIL LIGHTS AND WITH SUPER 21 END LIGHTS

5/8" bolts, 2 1/2" spacing. (see diagram B, page 357)
Includes hardware to attach two flaps and 24" accents. (Pair)

- (6) Red 4" Round Lights
11740B N11740B

- (6) Red Level Oval Lights
11741B N11741B

- (6) Red Level Rectangular Lights
11742B N11742B

- (6) Red Sloped Oval Lights
11743B N11743B

- (6) Red Sloped Rectangular Lights
11744B N11744B

- (8) Red 4" Round Lights
11745B N11745B

- (6) Red and (2) Back Up 4" Round Lights
11746B N11746B

- (8) Red Level Rectangular Lights
11747B N11747B

- (6) Red and (2) Back Up Level Rectangular Lights
11748B N11748B

- Blank
11749 N11749

- (2) Red 4" Round Lights
11750B N11750B

- (2) Red Level Oval Lights
11751B N11751B

- (2) Red Level Rectangular Lights
11752B N11752B

- (2) Red Sloped Oval Lights
11753B N11753B

- (2) Red Sloped Rectangular Lights
11754B N11754B

- (8) Red Sloped Rectangular Lights
11755B N11755B

- (6) Red and (2) Back Up Sloped Rectangular Lights
11756B N11756B

- (6) Red 4" Round Lights
11770B N11770B

- A. 1 - (6) Red Level Oval Lights**
11771B N11771B

- (6) Red Level Rectangular Lights
11772B N11772B

- (6) Red Sloped Oval Lights
11773B N11773B

- (6) Red Sloped Rectangular Lights
11774B N11774B

- (8) Red 4" Round Lights
11775B N11775B

- (6) Red and (2) Back Up 4" Round Lights
11776B N11776B

- (8) Red Level Rectangular Lights
11777B N11777B

- (6) Red and (2) Back Up Level Rectangular Lights
11778B N11778B

- Blank
11779 N11779

- (2) Red 4" Round Lights
11780B N11780B

- (2) Red Level Oval Lights
11781B N11781B

- (2) Red Level Rectangular Lights
11782B N11782B

- (2) Red Sloped Oval Lights
11783B N11783B

- (2) Red Sloped Rectangular Lights
11784B N11784B

- (8) Red Sloped Rectangular Lights
11785B N11785B

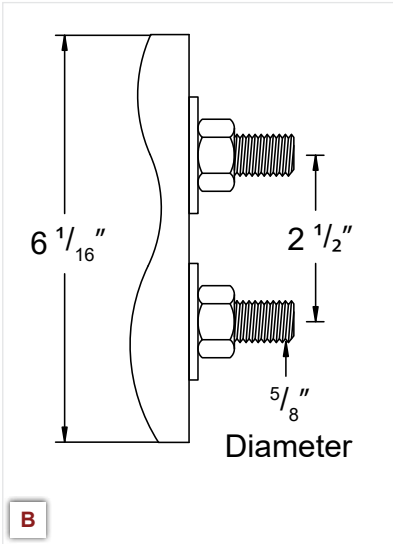
- (6) Red and (2) Back Up Sloped Rectangular Lights
11786B N11786B



ANTI-SAIL PANELS

- 2 - Anti-sail panels - Includes hardware. (Pair)**
11739 N11739

- 3 - Replacement Mud Flap Top Accent Trims For Angled 2-Piece Rear Light Bars**
11736 N11736



2 PIECE REAR LIGHT BARS WITH STOP / TURN / TAIL LIGHTS

Includes hardware to attach two flaps and 24" accents. See diagram F for measurement details. (Pair)

- C. 11679 N11679**
Blank Face and (2) Super 21 End Lights
(8) Round 4" Stop/Turn/Tail Lights and (2) Super 21 End Lights
- D. 11675B N11675B**
(6) Round 4" Stop/Turn/Tail Lights and (2) Super 21 Lights
- E. 11670B N11670B**
Blank 2-Piece Rear Light Bar
- F. 10679 N10679**
(6) Round 4" Stop/Turn/Tail Lights, (2) 4" Round Backup Lights and (2) Super 21 Lights
- G. 11676B N11676B**
(2) Round 4" Stop/Turn/Tail Light and (2) Super 21 Lights
- H. 11680B N11680B**



END LIGHTS (Pair)

Available with or without Super 21 Lights. See chart at bottom of page for lighting options.



Center Section	Round 4"	Oval	Rectangular	Ovals Angled V	Ovals Angled A
8 Red Lights, No End Light	10675B	N/A	10677B	N/A	N/A
8 Red Lights, With Super 21 End Light	11675B	N/A	11677B	N/A	N/A
6 Red and 2 Back up Lights, No End Light	10676B	N/A	10678B	N/A	N/A
6 Red and 2 Back up Lights, With Super 21 End Light	11676B	N/A	11678B	N/A	N/A
6 Red Lights, No End Light	10670B	10671B	10672B	10673B	10674B
6 Red Lights, With Super 21 End Light	11670B	11671B	11672B	11673B	11674B
2 Red Lights, No End Light	10680B	10681B	10682B	10683B	10684B
2 Red Lights, With Super 21 End Light	11680B	11681B	11682B	11683B	11684B

N *The part numbers beginning with 'N' in the right-sided column designate 304 stainless material. 304 stainless has enhanced corrosion resistance.

UNIVERSAL