

# UNIVERSAL

## 1 PIECE REAR LIGHT BARS



### END LIGHTS (Pair)

Add "-01" to the end of the part number to receive Super 21 end lights with stainless steel guards on your 1-piece rear bar. Remove the "-01" from the end of the part number to receive blank ends (without lights) on 1-piece rear bar.

\*Rectangular Backup lights are incandescent.

### 1 PIECE REAR LIGHT BARS WITH 8 STOP / TURN / TAIL LIGHTS (Each)

Includes hardware to attach two flaps and 24" accents.

- (8) Round 4" Stop/Turn/Tail Lights and Bezels
- (5) 2" Round Lights and Bezels
- (2) Super 21 Lights and Bezels

**A. 15404B-01 N15404B-01**

- (8) Oval Stop/Turn/Tail Lights and Bezels
- (2) Super 21 End Lights and Bezels

**B. 15410B-01 N15410B-01**

- (8) Rectangular Stop/Turn/Tail Lights
- (2) Super 21 End Lights and Bezels

**C. 15420B-01 N15420B-01**

- (8) Oval Stop/Turn/Tail Lights Angled { \\\ \ / / / }
- (5) 2" Round Lights
- (2) Super 21 End Lights and Bezels

**D. 15434B-01 N15434B-01**



### STOP/TURN/TAIL WITH INTEGRATED BACKUP LIGHTS AVAILABLE FOR OVAL AND 4" ROUND LIGHTS

To order Stop/Turn/Tail with Integrated Backup lights, use -I on the end of the part number for the original part. Example: 15404B-01-I to order light with **A** above.



### MOUNTING BRACKETS NOT INCLUDED

See Page 363 for Mounting Bracket Options.



Center Section	Round 4"	Oval	Rectangular	Ovals Angled V	Ovals Angled A
Without Lights, Without Center Holes	<b>15400B</b> (8+0)	<b>15410B</b> (8+0)	<b>15420B</b> (8+0)	<b>15430B</b> (8+0)	<b>15440B</b> (8+0)
2" Round Flat Lights	<b>15404B</b> (8+5)	<b>15414B</b> (8+3)	<b>15424B</b> (8+5)	<b>15434B</b> (8+5)	<b>15444B</b> (8+5)
2" Round Beehive Lights	<b>15405B</b> (8+5)	<b>15415B</b> (8+3)	<b>15425B</b> (8+5)	<b>15435B</b> (8+5)	<b>15445B</b> (8+5)





**END LIGHTS (Pair)**

Add "-01" to the end of the part number to receive Super 21 end lights with stainless steel guards on your 1-piece rear bar. Remove the "-01" from the end of the part number to receive blank ends (without lights) on 1-piece rear bar.

\*Rectangular Backup lights are incandescent.



**1 PIECE REAR LIGHT BAR WITH 6 STOP /TURN / TAIL AND 2 BACK UP LIGHTS (Each)**  
Includes hardware to attach two flaps and 24" accents.

- (6) Round 4" Stop/Turn/Tail Lights
- (2) Round 4" Backup Lights
- (2) Super 21 Lights and Bezels

**E. 15500B-01 N15500B-01**

- (6) Round 4" Stop/Turn/Tail Lights
- (2) Round 4" Backup Lights
- (5) 2" Round Lights
- (2) Super 21 Lights and Bezels

**F. 15504B-01 N15504B-01**

**MOUNTING BRACKETS NOT INCLUDED**

See Page 363 for Mounting Bracket Options.



Center Section	Round 4"	Oval	Rectangular	Ovals Angled V	Ovals Angled A
Without Lights, Without Center Holes	<b>15500B (6+2+0)</b>	N/A	N/A	N/A	N/A
2" Round Flat Lights	<b>15504B (6+2+5)</b>	N/A	N/A	N/A	N/A
2" Round Beehive Lights	<b>15505B (6+2+5)</b>	N/A	N/A	N/A	N/A



**N** \*The part numbers beginning with 'N' in the right-sided column designate 304 stainless material. 304 stainless has enhanced corrosion resistance.





**END LIGHTS (Pair)**

Add "-01" to the end of the part number to receive Super 21 end lights with stainless steel guards on your 1-piece rear bar. Remove the "-01" from the end of the part number to receive blank ends (without lights) on 1-piece rear bar.

\*Rectangular Backup lights are incandescent.

**1 PIECE REAR LIGHT BARS WITH 2 STOP / TURN / TAIL LIGHTS (Each)**

Includes hardware to attach two flaps and 24" accents. Oval lights are not available as back-up lights.

(2) Round 4" Stop/Turn/Tail Lights, (2) Super 21 End Lights and Bezels

**A. 15100B-01 N15100B-01**

(2) Round Stop/Turn/Tail Lights, (13) 2" Round Lights, (2) Super 21 End Lights and Bezels

**B. 15104B-01 N15104B-01**

(2) Oval Stop/Turn/Tail Lights, (13) 2" Round Lights, (2) Super 21 End Lights and Bezels

**C. 15114B-01 N15114B-01**

(2) Rectangular Stop/Turn/Tail Lights, (13) 2" Round Lights, (2) Super 21 End Lights and Bezels

**D. 15124B-01 N15124B-01**



**MOUNTING BRACKETS NOT INCLUDED**

See Page 363 for Mounting Bracket Options.

**STOP/TURN/TAIL WITH INTEGRATED BACKUP LIGHTS AVAILABLE FOR OVAL AND 4" ROUND LIGHTS**

To order Stop/Turn/Tail with Integrated Backup lights, use -I on the end of the part number for the original part. Example: 15104B-01-I to order light with B above.



Center Section	Round 4"	Oval	Rectangular	Ovals Angled V	Ovals Angled A
Without Lights, Without Center Holes	<b>15100B (2+0)</b>	<b>15110B (2+0)</b>	<b>15120B (2+0)</b>	<b>15130B (2+0)</b>	<b>15140B (2+0)</b>
2" Round Flat Lights	<b>15104B (2+13)</b>	<b>15114B (2+13)</b>	<b>15124B (2+13)</b>	<b>15134B (2+13)</b>	<b>15144B (2+13)</b>
2" Round Beehive Lights	<b>15105B (2+13)</b>	<b>15115B (2+13)</b>	<b>15125B</b>	<b>15135B (2+13)</b>	<b>15145B (2+13)</b>



**END LIGHTS (Pair)**

Add "-01" to the end of the part number to receive Super 21 end lights with stainless steel guards on your 1-piece rear bar. Remove the "-01" from the end of the part number to receive blank ends (without lights) on 1-piece rear bar.

\*Rectangular Backup lights are incandescent.

**1 PIECE REAR LIGHT BARS WITH 6 STOP / TURN / TAIL LIGHTS (Each)**

Includes hardware to attach two flaps. Mounting brackets sold separately.

(6) Round 4" Stop/Turn/Tail Lights, (7) 2" Round Lights, (2) Super 21 Lights and Bezels

**E. 15304B-01 N15304B-01**

(6) Oval Stop/Turn/Tail Lights, (6) 2" Round Lights, (2) Super 21 End Lights and Bezels

**F. 15314B-01 N15314B-01**

(6) Rectangular Stop/Turn/Tail Lights, (7) 2" Round Lights, (2) Super 21 End Lights and Bezels

**G. 15324B-01 N15324B-01**

(6) Oval Stop/Turn/Tail Lights Angled 45°, (7) 2" Round Lights, (2) Super 21 End Lights and Bezels

**H. 15344B-01 N15344B-01**

**MOUNTING BRACKETS NOT INCLUDED**

See Page 363 for Mounting Bracket Options.



Center Section	Round 4"	Oval	Rectangular	Ovals Angled V	Ovals Angled 45°
Without Lights, Without Center Holes	<b>15300B (6+0)</b>	<b>15310B (6+0)</b>	<b>15320B (6+0)</b>	<b>15330B (6+0)</b>	<b>15340B (6+0)</b>
2" Round Flat Lights	<b>15304B (6+7)</b>	<b>15314B (6+6)</b>	<b>15324B (6+7)</b>	<b>15334B (6+7)</b>	<b>15344B (6+7)</b>
2" Round Beehive Lights	<b>15305B (6+7)</b>	<b>15315B (6+6)</b>	<b>15325B (6+7)</b>	<b>15335B (6+7)</b>	<b>15345B (6+7)</b>

**N** \*The part numbers beginning with 'N' in the right-sided column designate 304 stainless material. 304 stainless has enhanced corrosion resistance.





### END LIGHTS (Pair)

Add "-01" to the end of the part number to receive Super 21 end lights with stainless steel guards on your 1-piece rear bar. Remove the "-01" from the end of the part number to receive blank ends (without lights) on 1-piece rear bar.

\*Rectangular Backup lights are incandescent.

### 1 PIECE REAR LIGHT BARS LOADED WITH LIGHTS (Each)

Includes hardware to attach two flaps and 24" accents.

- (10) Round 4" Stop / Turn / Tail Lights, and Bezels
- A. 15080B-01      N15080B-01**
- (10) Oval Stop / Turn / Tail Lights, and Bezels
- B. 15081B-01      N15081B-01**
- (10) Rectangular Stop / Turn / Tail Lights, and Bezels
- C. 15082B-01      N15082B-01**
- (10) Oval Stop / Turn / Tail Lights Angled \\\ / \\\ /, and Bezels
- D. 15083B-01      N15083B-01**
- (10) Oval Stop / Turn / Tail Lights Angled // / // /, and Bezels
- 15084B-01      N15084B-01**
- (24) 2" Flat Round Tail Lights and Bezels  
Flat lights will not operate as turn or stop lights, they are tail lights only.
- E. 15094B-01      N15094B-01**

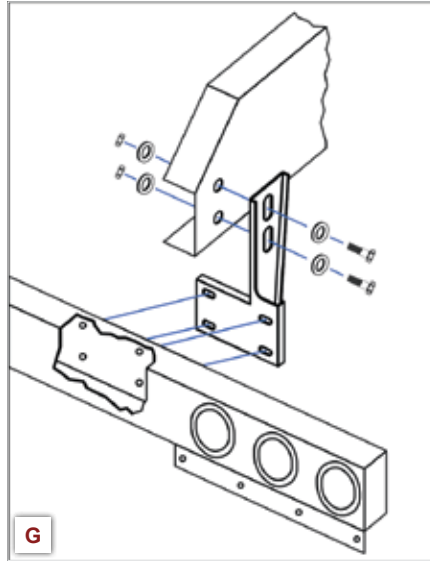
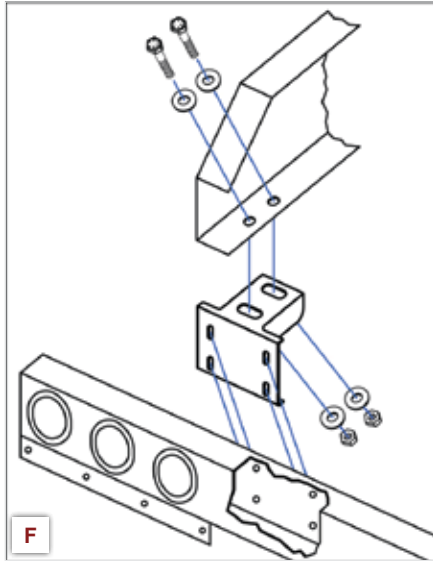
### MOUNTING BRACKETS NOT INCLUDED

See Page 363 for Mounting Bracket Options.

### STOP/TURN/TAIL WITH INTEGRATED BACKUP LIGHTS AVAILABLE FOR OVAL AND 4" ROUND LIGHTS

To order Stop/Turn/Tail with Integrated Backup lights, use -I on the end of the part number for the original part. Example: **15081B-01-I** to order light with **B** above.





**1-PIECE REAR BAR MOUNTING KITS**  
Powder coated black, all mounting hardware included.  
(Pair)

Below Frame Bracket Kit

**F. 15001**

Side of Frame Bracket Kit

**G. 15002**

**1-PIECE REAR LIGHT BAR COMPONENTS AND MOUNTING BRACKETS**

**H.** Bar may be ordered with or without lights, grommets and harnesses.

**TAIL LIGHT BRACKETS (Pair)**  
Reflector included with each bracket.

Tail Light Brackets with Oval / Backup lights Combo

**I. 10599 N10599**

**ADDITIONAL FLAP HANGERS**

Put 4 flaps on your 1 piece bar by adding this kit of 2 accent trims and 2 angle mount brackets! (Flaps not included)

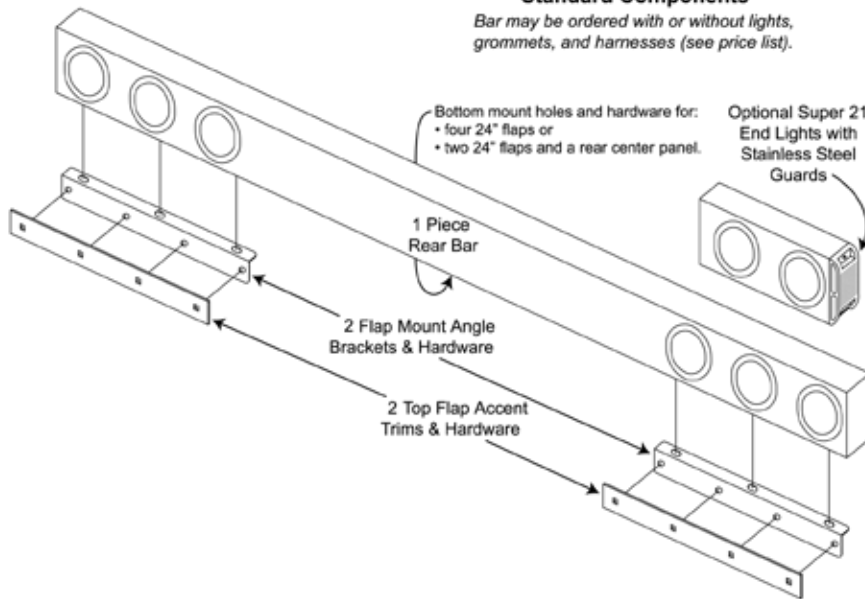
**H**

2" x 24" Top Flap Accent Trims with angle mount brackets (4 piece kit)

**J. 10426A N10426A**

**Standard Components**

Bar may be ordered with or without lights, grommets, and harnesses (see price list).



See Page 365 for Flap Accents and Accessories.



**N** \*The part numbers beginning with 'N' in the right-sided column designate 304 stainless material. 304 stainless has enhanced corrosion resistance.