

PETERBILT

MULTI-FIT FRONT AND REAR BREATHER LIGHTS

MULTI-FIT BREATHER LIGHTS FOR 15" DIAMETER PETERBILT BREATHERS

Fits all 15" diameter strap mounted breathers, including 15" Regular Donaldson, 15" Vortex, 15" Premium Donaldson, 15" Regular Donaldson Preferred fit, and 15" Premium Preferred Fit Donaldson. Does not fit Farr Brand strapless breathers. Does not fit 13" diameter breathers. [1987 & Newer] (Pair)

24.5" TALL MULTI-FIT FRONT BREATHER LIGHTS

Blank (0)	32049	N32049
2" Round Flat (14)	32040B	N32040B
2" Round Flat Beehive (14)	32041B	N32041B
Challenger (14)	32042B	N32042B
Bulls-Eye (14)	32047B	N32047B
3/4" Button (14)	32047GB	N32047GB
Fusion (14)	32048BC	N32048BC
A. M3 (14)	32040M3	N32040M3
Mini (14)	32042MN	N32042MN

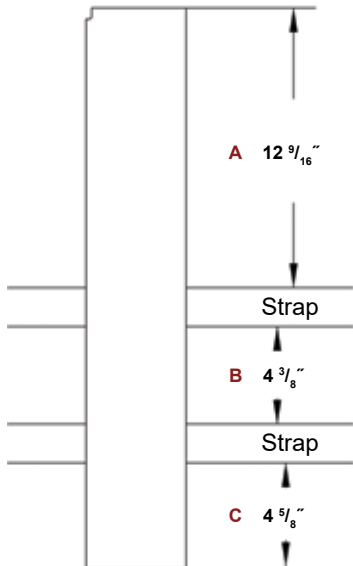
19.75" TALL MULTI-FIT REAR BREATHER LIGHTS

Blank (0)	31049	N31049
B. 2" Round Flat (12)	31040B	N31040B
Challenger (12)	31042B	N31042B
Bulls-Eye (12)	31047B	N31047B
3/4" Button (12)	31047GB	N31047GB
Fusion (12)	31048BC	N31048BC
M3 (12)	31040M3	N31040M3
Mini (12)	31042MN	N31042MN

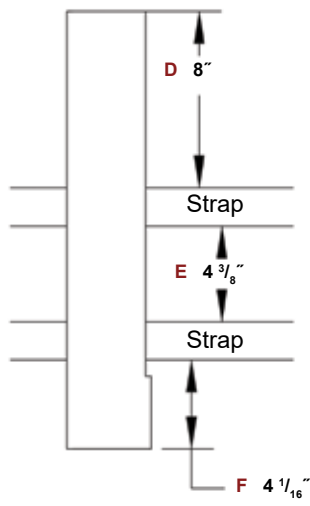


FRONT BREATHER LIGHTS

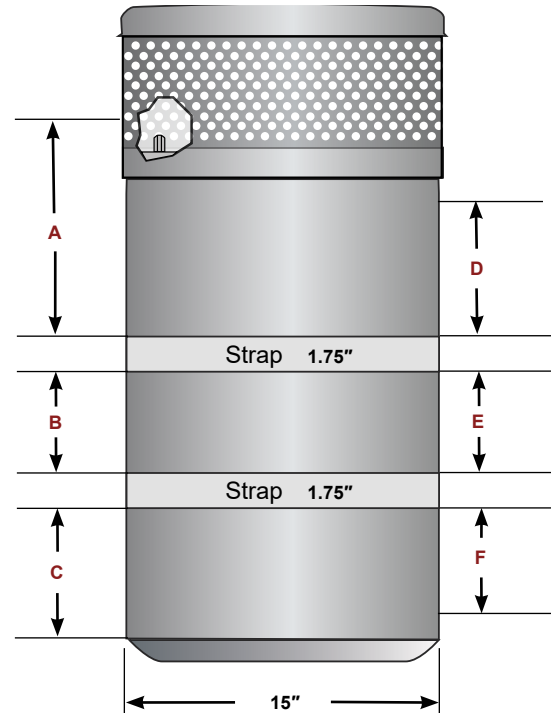
REAR BREATHER LIGHTS



Shown as 32040M3



Shown as 31040B



15" DIAMETER VORTEX BREATHER

Breather lid secured by a single long bolt up through bottom of the breather. [1988 - 2005] (Pair)

13" TALL FRONT BREATHER LIGHTS

Blank (0)	32009	N32009
2" Round Flat (8)	32000B	N32000B
2" Round Flat Beehive (8)	32001B	N32001B
Challenger (8)	32002B	N32002B
Bulls-Eye (8)	32007B	N32007B
3/4" Button (8)	32007GB	N32007GB
Fusion (8)	32008BC	N32008BC
M3 (8)	32000M3	N32000M3
Mini (8)	32002MN	N32002MN

16.25" TALL FRONT BREATHER LIGHTS

Blank (0)	32019	N32019
2" Round Flat (10)	32010B	N32010B
2" Round Beehive (10)	32011B	N32011B
Challenger (10)	32012B	N32012B
Bulls-Eye (10)	32017B	N32017B
3/4" Button (10)	32017GB	N32017GB
Fusion (10)	32018BC	N32018BC
M3 (10)	32010M3	N32010M3
Mini (10)	32012MN	N32012MN

19.5" TALL FRONT BREATHER LIGHTS

Blank (0)	32029	N32029
2" Round Flat (12)	32020B	N32020B
2" Round Beehive (12)	32021B	N32021B
Challenger (12)	32022B	N32022B
Bulls-Eye (12)	32027B	N32027B
3/4" Button (12)	32027GB	N32027GB
Fusion (12)	32028BC	N32028BC
M3 (12)	32020M3	N32020M3
Mini (12)	32022MN	N32022MN

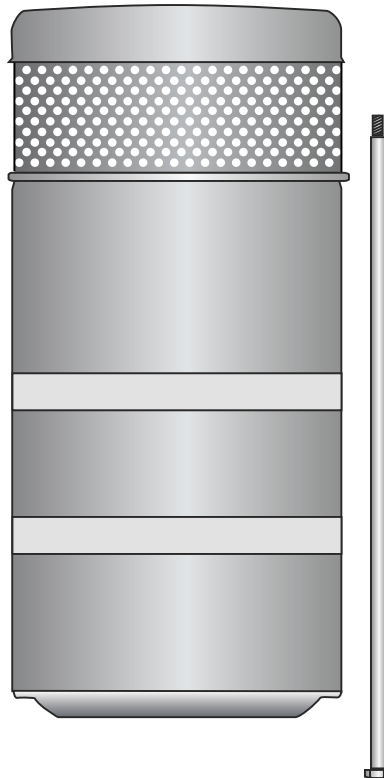
26" TALL FRONT BREATHER LIGHTS

C.

Blank (0)	32039	N32039
2" Round Flat (16)	32030B	N32030B
2" Round Beehive (16)	32031B	N32031B
Challenger (16)	32032B	N32032B
Bulls-Eye (16)	32037B	N32037B
3/4" Button (16)	32037GB	N32037GB
Fusion (16)	32038BC	N32038BC
M3 (16)	32030M3	N32030M3
Mini (16)	32032MN	N32032MN



15" DIAMETER VORTEX BREATHER



See page 98 for Regular Donaldson Breather Lights.

See page 99 for Front Donaldson Preferred Fit Breather Lights.

See page 99 for Front Donaldson Premium Breather Lights.

See page 100 for Rear Donaldson Preferred Fit Breather Lights.

See page 100 for Rear Donaldson Premium Breather Lights.

13" TALL REAR BREATHER LIGHTS

Blank (0)	31009	N31009
2" Round Flat (8)	31000B	N31000B
Challenger (8)	31002B	N31002B
Bulls-Eye (8)	31007B	N31007B
3/4" Button (8)	31007GB	N31007GB
Fusion (8)	31008BC	N31008BC
M3 (8)	31000M3	N31000M3
Mini (8)	31002MN	N31002MN

16.25" TALL REAR BREATHER LIGHTS

Blank (0)	31019	N31019
2" Round Flat (10)	31010B	N31010B
Challenger (10)	31012B	N31012B
Bulls-Eye (10)	31017B	N31017B
3/4" Button (10)	31017GB	N31017GB
Fusion (10)	31018BC	N31018BC
M3 (10)	31010M3	N31010M3
Mini (10)	31012MN	N31012MN

19.5" TALL REAR BREATHER LIGHTS

Blank (0)	31029	N31029
2" Round Flat (12)	31020B	N31020B
Challenger (12)	31022B	N31022B
Bulls-Eye (12)	31027B	N31027B
3/4" Button (12)	31027GB	N31027GB
Fusion (12)	31028BC	N31028BC
M3 (12)	31020M3	N31020M3
Mini (12)	31022MN	N31022MN

26" TALL REAR BREATHER LIGHTS

D.

Blank (0)	31039	N31039
2" Round Flat (16)	31030B	N31030B
Challenger (16)	31032B	N31032B
Bulls-Eye (16)	31037B	N31037B
3/4" Button (16)	31037GB	N31037GB
Fusion (16)	31038BC	N31038BC
M3 (16)	31030M3	N31030M3
Mini (16)	31032MN	N31032MN

*The part numbers beginning with 'N' in the right-sided column designate 304 stainless material. 304 stainless has enhanced corrosion resistance.

15" DIAMETER REGULAR DONALDSON BREATHER

Does not fit trucks equipped with Premium Donaldson Breathers or Donaldson Premium Preferred Fit Breathers. For Premium and Premium Preferred Fit Donaldson Breathers, go to page 99. Breather top secured by outside bolts around top of lid. [1988 and Newer] (Pair)

13" TALL FRONT BREATHER LIGHTS

Blank (0)	32009	N32009
2" Round Flat (8)	32000B	N32000B
2" Round Flat Beehive (8)	32001B	N32001B
Challenger (8)	32002B	N32002B
Bulls-Eye (8)	32007B	N32007B
3/4" Button (8)	32007GB	N32007GB
Fusion (8)	32008BC	N32008BC
M3 (8)	32000M3	N32000M3
Mini (8)	32002MN	N32002MN

16.25" TALL FRONT BREATHER LIGHTS

Blank (0)	32019	N32019
2" Round Flat (10)	32010B	N32010B
2" Round Beehive (10)	32011B	N32011B
Challenger (10)	32012B	N32012B
Bulls-Eye (10)	32017B	N32017B
3/4" Button (10)	32017GB	N32017GB
Fusion (10)	32018BC	N32018BC
M3 (10)	32010M3	N32010M3
Mini (10)	32012MN	N32012MN

19.5" TALL FRONT BREATHER LIGHTS

Blank (0)	32029	N32029
2" Round Flat (12)	32020B	N32020B
2" Round Beehive (12)	32021B	N32021B
Challenger (12)	32022B	N32022B
Bulls-Eye (12)	32027B	N32027B
3/4" Button (12)	32027GB	N32027GB
Fusion (12)	32028BC	N32028BC
M3 (12)	32020M3	N32020M3
Mini (12)	32022MN	N32022MN

26" TALL FRONT BREATHER LIGHTS

Refer To Diagram 1 at right for measurements to identify your breather.

A = 12", B = 4 7/16", C = 4 1/4"

A.

Blank (0)	32039	N32039
2" Round Flat (16)	32030B	N32030B
2" Round Beehive (16)	32031B	N32031B
Challenger (16)	32032B	N32032B
Bulls-Eye (16)	32037B	N32037B
3/4" Button (16)	32037GB	N32037GB
Fusion (16)	32038BC	N32038BC
M3 (16)	32030M3	N32030M3
Mini (16)	32032MN	N32032MN

13" DIAMETER DONALDSON BREATHER

20.312" TALL FRONT BREATHER LIGHTS

Blank (0)	32269	N32269
2" Round Flat (12)	32260B	N32260B
Challenger (12)	32262B	N32262B
Bulls-Eye (12)	32267B	N32267B
3/4" Button (12)	32267GB	N32267GB
Fusion (12)	32268BC	N32268BC
M3 (12)	32260M3	N32260M3
Mini (12)	32262MN	N32262MN

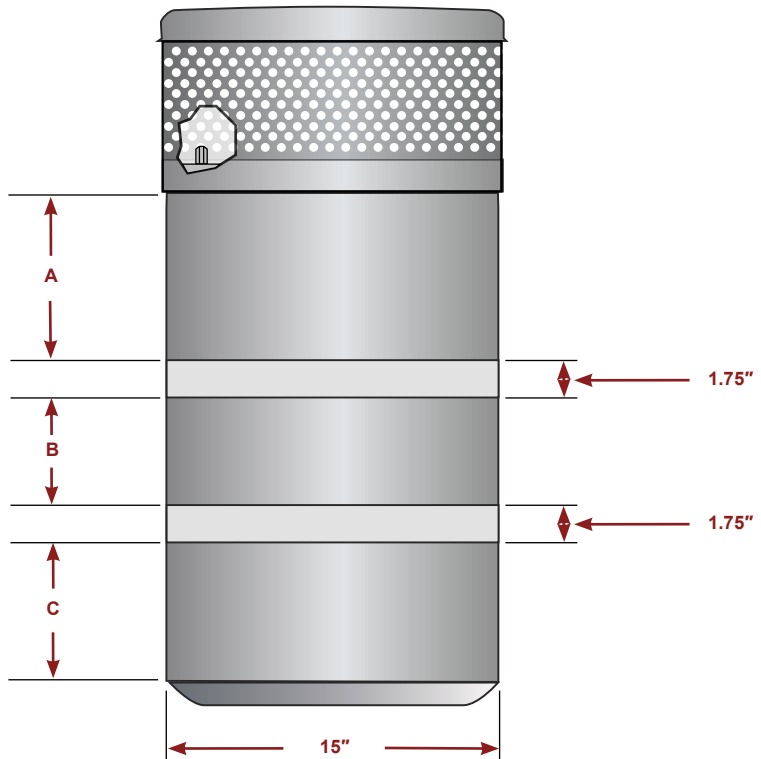
15" DIAMETER REGULAR DONALDSON PREFERRED FIT BREATHER (2011 and Newer)

25.5" TALL FRONT BREATHER LIGHTS

Blank (0)	32259	N32259
2" Round Flat (14)	32250	N32250
2" Round Beehive (14)	32251	N32251
Challenger (14)	32252	N32252
Bulls-Eye (14)	32257	N32257
3/4" Button (14)	32257GB	N32257GB
Fusion (14)	32258C	N32258C
M3 (14)	32250M3	N32250M3
Mini (14)	32252MN	N32252MN



DIAGRAM 1





15" DIAMETER PREMIUM DONALDSON BREATHER

Does not fit Regular Donaldson or Preferred Fit Donaldson. Premium Donaldson Breathers have a twist off top and concealed bolts. Bolts located underneath spring loaded twist off top. [2005 - 2011] (Pair)

26" TALL FRONT BREATHER LIGHTS

Refer To Diagram 1 previous page 82 for measurements to identify your breather. A = 12", B = 4 7/16", C = 5 9/16"

Blank (0)	32239	N32239
2" Round Flat (16)	32230B	N32230B
2" Round Beehive (16)	32231B	N32231B
Challenger (16)	32232B	N32232B
Bulls-Eye (16)	32237B	N32237B
3/4" Button (16)	32237GB	N32237GB
Fusion (16)	32238BC	N32238BC
M3 (16)	32230M3	N32230M3
M5 (16)	32232M5	N32232M5
Mini (16)	32232MN	N32232MN

15" DIAMETER DONALDSON PREFERRED FIT BREATHER

Does not fit Regular Donaldson or Premium Donaldson. Donaldson Preferred Fit Breathers have a twist off top and concealed bolts. Bolts located underneath spring loaded twist off top. [2011 & Newer] (Pair)

25.187" TALL FRONT BREATHER LIGHTS

Refer To Diagram 1 previous page 82 for measurements to identify your breather. A = 12 1/2", B = 4 7/16", C = 4 3/4"

Blank (0)	32249	N32249
2" Round Flat (14)	32240B	N32240B
2" Round Beehive (14)	32241B	N32241B
Challenger (14)	32242B	N32242B
Bulls-Eye (14)	32247B	N32247B
3/4" Button (14)	32247GB	N32247GB
Fusion (14)	32248BC	N32248BC
B. M3 (14)	32240M3	N32240M3
M5 (14)	32242M5	N32242M5
Mini (14)	32242MN	N32242MN

PETERBILT



See index page 382 for information on ordering Millennium Glo Series lights on any RoadWorks lighted part.

PETERBILT

REAR BREATHER LIGHTS

15" DIAMETER PREMIUM DONALDSON BREATHER

Does not fit Regular Donaldson or Preferred Fit Donaldson. Premium Donaldson Breathers have a twist off top and concealed bolts. Bolts located underneath spring loaded twist off top. [2005 - 2011] (Pair)

26" TALL REAR BREATHER LIGHTS

A. Blank (0)	31239	N31239
2" Round Flat (16)	31230B	N31230B
Challenger (16)	31232B	N31232B
Bulls-Eye (16)	31237B	N31237B
3/4" Button (16)	31237GB	N31237GB
Fusion (16)	31238BC	N31238BC
M3 (16)	31230M3	N31230M3
M5 (16)	31232M5	N31232M5
Mini (16)	31232MN	N31232MN

15" DIAMETER REGULAR DONALDSON BREATHER

Does not fit trucks equipped with Premium Donaldson Breathers or Donaldson Preferred Fit Breathers. Breather top secured by outside bolts around the top of lid. [1988 & Newer] (Pair)

13" TALL REAR BREATHER LIGHTS

Blank (0)	31009	N31009
2" Round Flat (8)	31000B	N31000B
Challenger (8)	31002B	N31002B
Bulls-Eye (8)	31007B	N31007B
3/4" Button (8)	31007GB	N31007GB
Fusion (8)	31008BC	N31008BC
M3 (8)	31000M3	N31000M3
Mini (8)	31002MN	N31002MN

16.25" TALL REAR BREATHER LIGHTS

Blank (0)	31019	N31019
2" Round Flat (10)	31010B	N31010B
Challenger (10)	31012B	N31012B
Bulls-Eye (10)	31017B	N31017B
3/4" Button (10)	31017GB	N31017GB
Fusion (10)	31018BC	N31018BC
M3 (10)	31010M3	N31010M3
Mini (10)	31012MN	N31012MN

19.5" TALL REAR BREATHER LIGHTS

B. Blank (0)	31029	N31029
2" Round Flat (12)	31020B	N31020B
Challenger (12)	31022B	N31022B
Bulls-Eye (12)	31027B	N31027B
3/4" Button (12)	31027GB	N31027GB
Fusion (12)	31028BC	N31028BC
M3 (12)	31020M3	N31020M3
Mini (12)	31022MN	N31022MN

For Rear Breather Lights on 13" Diameter Regular Donaldson Breathers call RoadWorks Customer Service at 1-800-448-8741.

15" DIAMETER DONALDSON PREFERRED FIT BREATHER

Does not fit Regular Donaldson or Premium Donaldson. Donaldson Preferred Fit Breathers have a twist off top and concealed bolts. Bolts located underneath spring loaded twist off top. [2011 & Newer] (Pair)

25.187" TALL REAR BREATHER LIGHTS

Blank (0)	31209	N31209
2" Round Flat (14)	31200B	N31200B
Challenger (14)	31202B	N31202B
Bulls-Eye (14)	31207B	N31207B
3/4" Button (14)	31207GB	N31207GB
Fusion (14)	31208BC	N31208BC
M3 (14)	31200M3	N31200M3
Mini (14)	31202MN	N31202MN



15" DIAMETER REGULAR DONALDSON PREFERRED FIT BREATHER (2011 and Newer)

19.5" TALL REAR BREATHER LIGHTS

Blank (0)	31259	N31259
2" Round Flat (12)	31250B	N31250B
Challenger (12)	31252B	N31252B
Bulls-Eye (12)	31257B	N31257B
3/4" Button (12)	31257GB	N31257GB
Fusion (12)	31258BC	N31258BC
M3 (12)	31250M3	N31250M3
Mini (12)	31252MN	N31252MN



C. INNER BREATHER LIGHTS

For Premium Donaldson. Fits regular Donaldson and Vortex Breathers when used with a RoadWorks breather replacement screen. (Kit)

15" DIAMETER PREMIUM LIGHTS

2" Round Flat (18)	15750B	N15750B
M3 (18)	15750M3	N15750M3
2" Round Beehive (18)	15751B	N15751B
Fusion (30)	15752C	N15752C
Bulls-Eye (36)	15753B	N15753B
3/4" Button (36)	15753GB	N15753GB
Mini (18)	15754MN	N15754MN

15" DIAMETER DONALDSON LIGHTS

2" Round Flat (18)	15760B	N15760B
M3 (18)	15760M3	N15760M3
2" Round Beehive (18)	15761B	N15761B
Fusion (30)	15762C	N15762C
Bulls-Eye (36)	15763B	N15763B
3/4" Button (36)	15763GB	N15763GB
Mini (18)	15764MN	N15764MN

15" DIAMETER VORTOX LIGHTS

2" Round Flat (18)	15770B	N15770B
M3 (18)	15770M3	N15770M3
2" Round Beehive (18)	15771B	N15771B
Fusion (30)	15772C	N15772C
Bulls-Eye (36)	15773B	N15773B
3/4" Button (36)	15773GB	N15773GB
Mini (18)	15774MN	N15774MN

13" DIAMETER DONALDSON LIGHTS

2" Round Flat (12)	15780B	N15780B
M3 (12)	15780M3	N15780M3
2" Round Beehive (12)	15781B	N15781B
Fusion (24)	15782C	N15782C
Bulls-Eye (24)	15783B	N15783B
3/4" Button (24)	15783GB	N15783GB
Mini (12)	15784MN	N15784MN

Don't see the lights you want? RoadWorks can, custom laser cut, light holes for many different lights. Call RoadWorks Customer Service at 1-800-448-8741 for details.

PUNCH OPTIONS

View punch styles inside back cover.

-23	Small 1/4" Circles
-24	Large 7/16" Circles
-28	Hexagons
-30	Horizontal Rectangles
-31	Vertical Rectangles
-32	5/16" In-Line Squares
-33	5/16" Offset Squares
-36	Horizontal Oval Holes
-37	Vertical Ovals
-38	Horizontal 3/16" Oblong
-39	Vertical 3/16" Oblong
-40	Horizontal 5/16" Oblong
-41	Vertical 5/16" Oblong
-46	Stars
-47	Snake Skin

PUNCHED BREATHER SCREENS (Pair)

Punch options available for breather screens. Add the punch option below to the part number below.

Ex: 15800-28 = 15" Donaldson Breather, Factory Height, Hexagon Punched Screen

See chart at left for Punch Options.

15" PREMIUM DONALDSON SCREEN

Factory Height	15800-XX	N15800-XX
2" Shorter	15801-XX	N15801-XX

15" DONALDSON SCREEN

Factory Height	15810-XX	N15810-XX
2" Shorter	15811-XX	N15811-XX

15" VORTOX SCREEN

Factory Height	15820-XX	N15820-XX
2" Shorter	Call RoadWorks customer service for more details at 1-800-448-8741.	

15" DONALDSON PREFERRED FIT SCREEN

Factory Height	15805-XX	N15805-XX
2" Shorter	15806-XX	N15806-XX

*The part numbers beginning with 'N' in the right-sided column designate 304 stainless material. 304 stainless has enhanced corrosion resistance.