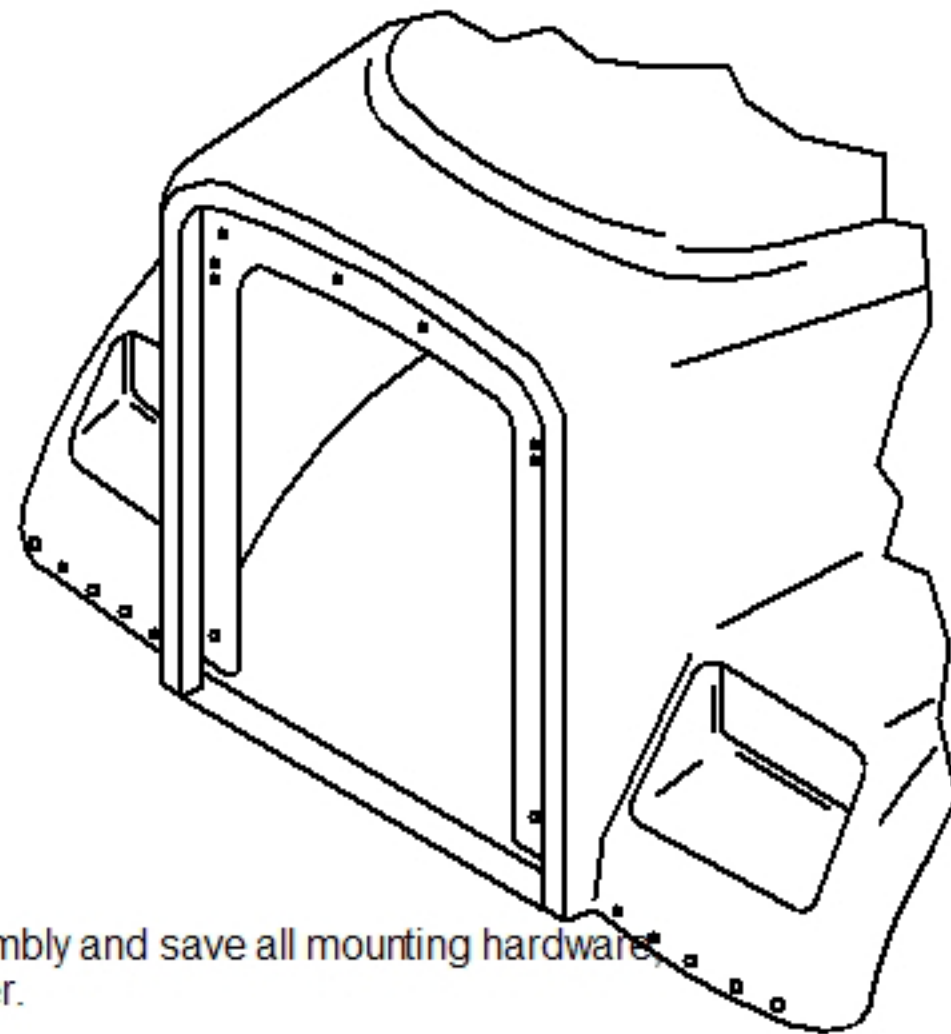
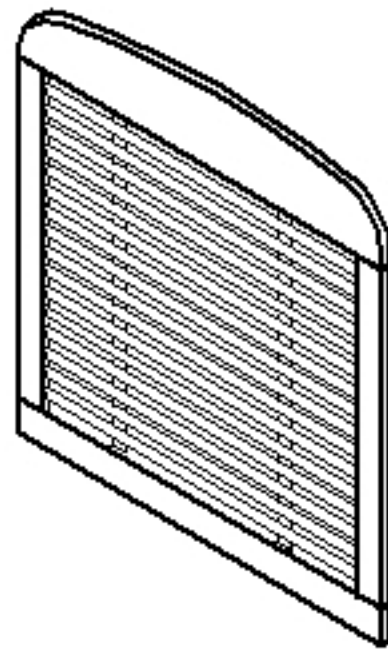


# 1990 and newer Freightliner Classic / Classic XL / FLD120 punched grill.

## Step 1

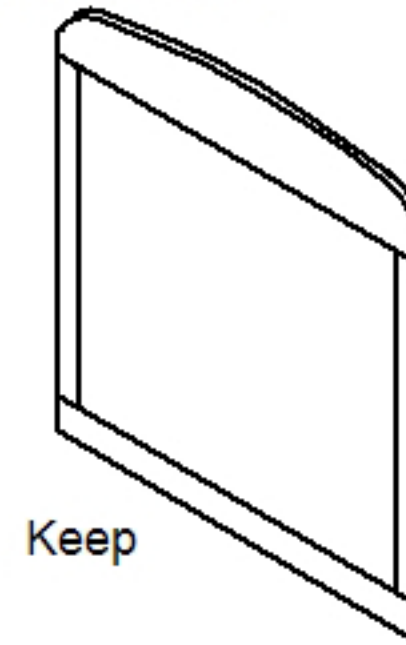
### Grill Surround



Remove Factory Grill Assembly and save all mounting hardware, you will be reinstalling it later.

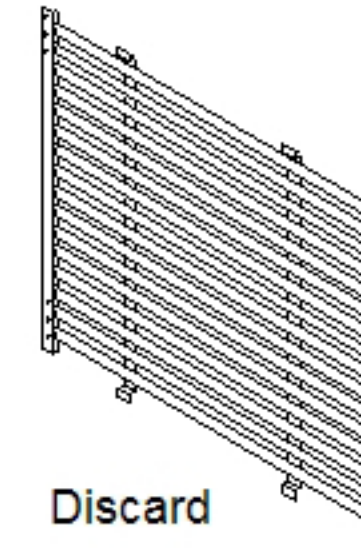
## Step 2

### Grill Surround



Keep

### Grill Bars and Screen

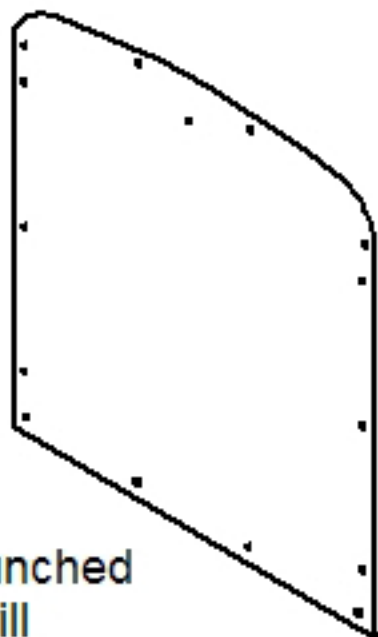


Discard

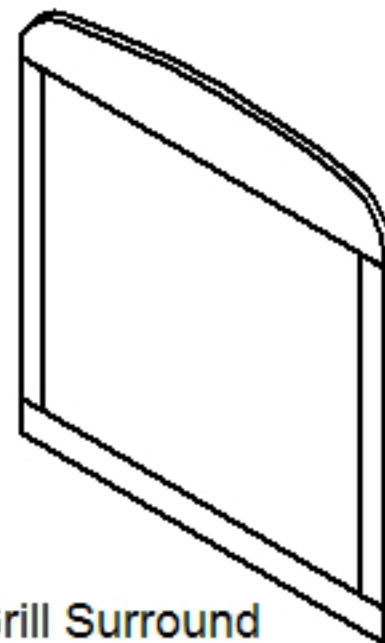
Remove Grill Bars and Screen from grill frame and discard. Keep the outer surround. You will be mounting the punched grill to it.

## Step 3

Place punched grill over factory surround and mark through the square holes. Drill holes and fasten with supplied 1/4" carriage bolts.

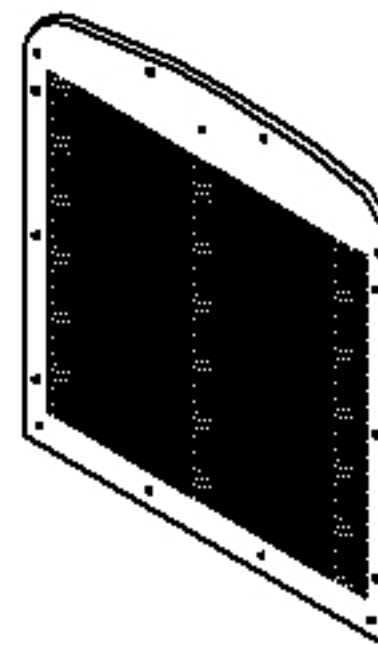


Punched Grill



Grill Surround

## Step 4



Reinstall the Factory Surround and attached Punched Grill with factory hardware saved in step #1

