

Peterbilt Inner Extension Rear Vertical Bars for 70" Sleepers

Part Numbers: 30250-30269

Before beginning the installation of your new RoadWorks® rear vertical bars please verify that your truck has a 70" Sleeper with sleeper extensions. If your truck has a 36", 48", or 63" Sleeper, this is the wrong part for your truck. Please call RoadWorks® Manufacturing, Inc. at 1-800-448-8741 to get the correct part number for your truck or if you have installation questions.

PLEASE READ THE DIRECTIONS COMPLETELY BEFORE BEGINNING.

Installation

1. Arrange the rear vertical bars and brackets on a flat surface. The -13 rear vertical bar will go on the driver's side and the -15 will go on the passenger's side of the truck. Peel the PVC from all of the brackets.
2. Hold the -13 rear vertical bar up to the back of the sleeper on the driver's side. The left mounting lip needs to be held flush to the back of the sleeper extension. The right mounting lip's tapered edge needs to follow the contour of the sleeper and be held firmly against the back of the sleeper (see Diagram #3 on reverse side). It may be necessary to remove the grab handles.
3. Mark the holes on the sleeper extension through the left mounting lip. Set the -13 aside and drill $\frac{3}{32}$ " holes in marked locations.
4. Temporarily install the -13 rear vertical bar using #10 sheet metal screws in the top and bottom holes only. Do not fully tighten these screws, this part will be removed after marking the location for the right side mounting holes in the next step.
5. Being sure that the right mounting lip is held tight against the sleeper, run masking tape down the back of the sleeper to the right edge of the -13 bar. Mark the masking tape next to the location of the holes in the right mounting lip. Remove the -13 rear vertical bar and set it aside.
6. Hold the -01 bracket to the left of the masking tape, lining up the nutsert to the marked locations on the masking tape. Mark the back of the sleeper five times through the oblong hole in the bracket. Drill $\frac{1}{8}$ " holes on the marked locations, being careful not to damage the interior of the sleeper.
7. Install the five -01 brackets using #12 sheet metal screws (see Diagram #1 on reverse side). Check to make sure the nutsert on each bracket lines up with the marks on the masking tape from step #6. Fully tighten these bolts.
8. Peel the PVC away from the holes on the mounting lips of the -13 bar. Reinstall the -13 rear vertical bar using five #10 sheet metal screws on the left mounting lip and five #8 machine screws on the right mounting lip (see Diagram #1 on reverse side).
9. Repeat steps #2-#8 for the -15 rear vertical bar on the passenger's side of the truck.
10. Remove the masking tape. This completes the installation of your RoadWorks® rear vertical bars.

Peterbilt Inner Extension Rear Vertical Bars for 70" Sleepers

Diagram #1

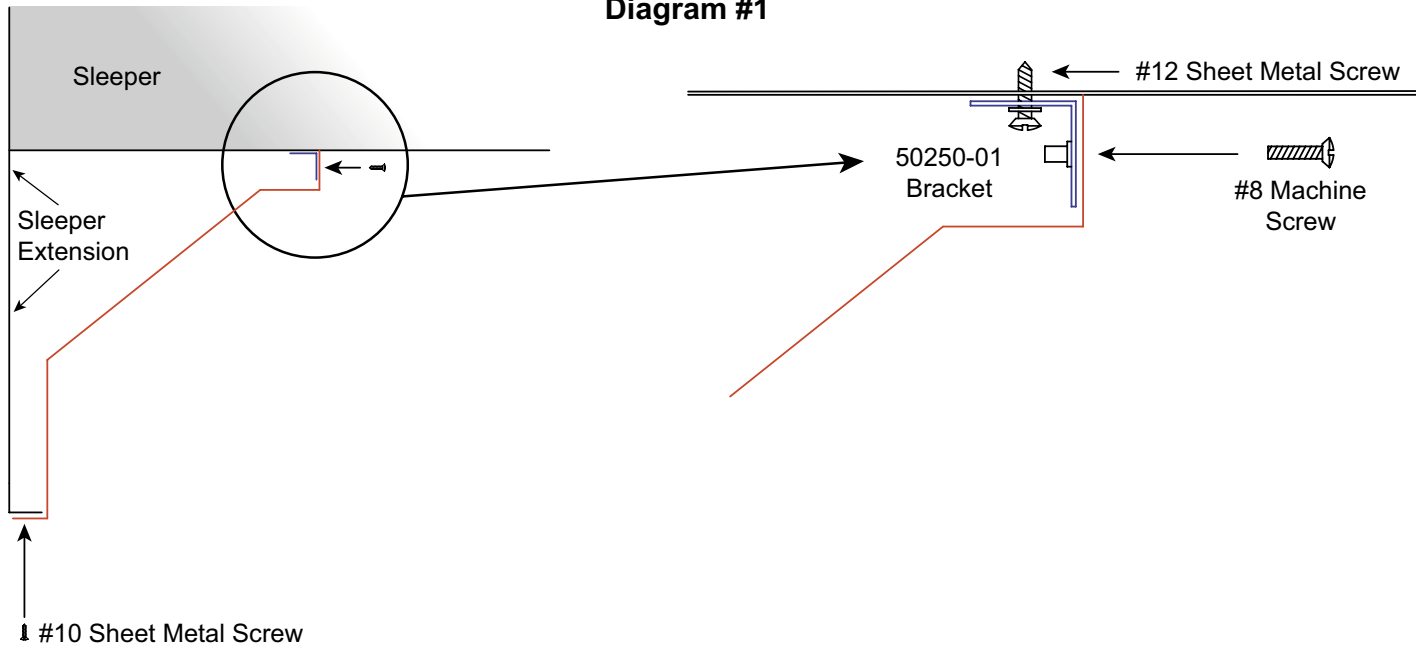


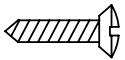
Diagram #2



3/16" Lock Washer



Flat Washer



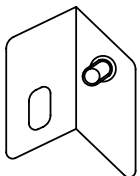
#12 Sheet Metal Screw



#8 Machine Screw

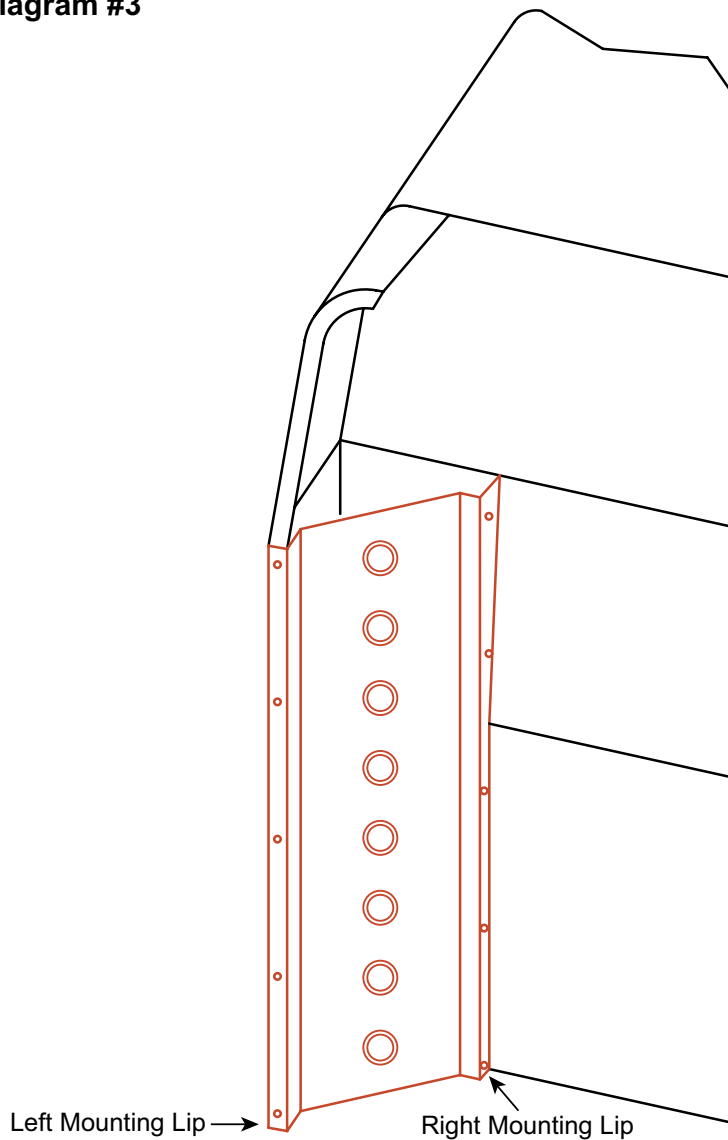


#10 Sheet Metal Screw



50250-01 Bracket

Diagram #3



30250-IN