

# **Kenworth 66", 60", 48", and 72.5" with 72" or Smaller Sleeper Fuel Tank Fairing Installation Instructions**

**(Does not work on 72.5" Fuel Tanks with an 86" Studio Sleeper)**

***Part Numbers: 44000-44010 & 44040-44090***

Before beginning the installation of your new RoadWorks<sup>®</sup> fuel tank fairings please verify that your truck's tanks are saddle mount. These fuel tank fairings will not fit strap mount tanks. Also verify that the tank fairings you have purchased match the length of your truck's tanks and are compatible with your truck's sleeper size. If the length of your truck's tanks do not match the description on the box label, call RoadWorks<sup>®</sup> Manufacturing, Inc. at 1-800-448-8741.

**NO DRILLING REQUIRED! PLEASE READ THE DIRECTIONS COMPLETELY BEFORE BEGINNING.**

## **Installation**

1. Arrange the tank fairings and brackets on a flat surface. Peel the PVC from all of the brackets.
2. Loosen the two bolts on either side of all tank saddles. Do not loosen the center strap bolts.
3. Install the 44000-03 saddle brackets between the factory saddle and strap brackets, tabs facing up toward the tank, in the locations shown in Diagram #2 on the reverse side. Fully tighten the bolts loosened in step #2.
4. Install the 44000-02 fairing brackets to the saddle brackets installed in step #3 using 5/16" hex bolts, flat washers, and lock washers (see Diagram #2 on reverse side). Leave these bolts loose.
5. Install the tank fairing using 1/4" carriage bolts, flat washers, lock washers, and hex nuts, leaving these bolts very loose (see Diagram #3 on reverse side).
6. Hold the tank fairing firmly against the fuel tank and fully tighten the 5/16" hex bolts that join the saddle and fairing bracket together (from step #4).
7. While continuing to firmly hold the tank fairing against the tank, fully tighten the nuts that secure the tank fairing to the bracket from step #5.
8. Peel the PVC from the fuel tank fairing. Repeat steps #1 - #8 to install the other tank fairing.
9. This completes the installation of your RoadWorks<sup>®</sup> fuel tank fairings.

# Kenworth 66", 60", 48", 72.5" with 72" or Smaller Sleeper Fuel Tank Fairings

DIAGRAM #1

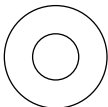
**HARDWARE**



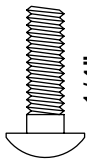
5/16"  
HEX BOLT



5/16" LOCK  
WASHER



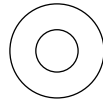
5/16" FLAT  
WASHER



1/4"  
CARRIAGE BOLT



1/4" LOCK  
WASHER



1/4" FLAT  
WASHER



HEX NUT

DIAGRAM #2

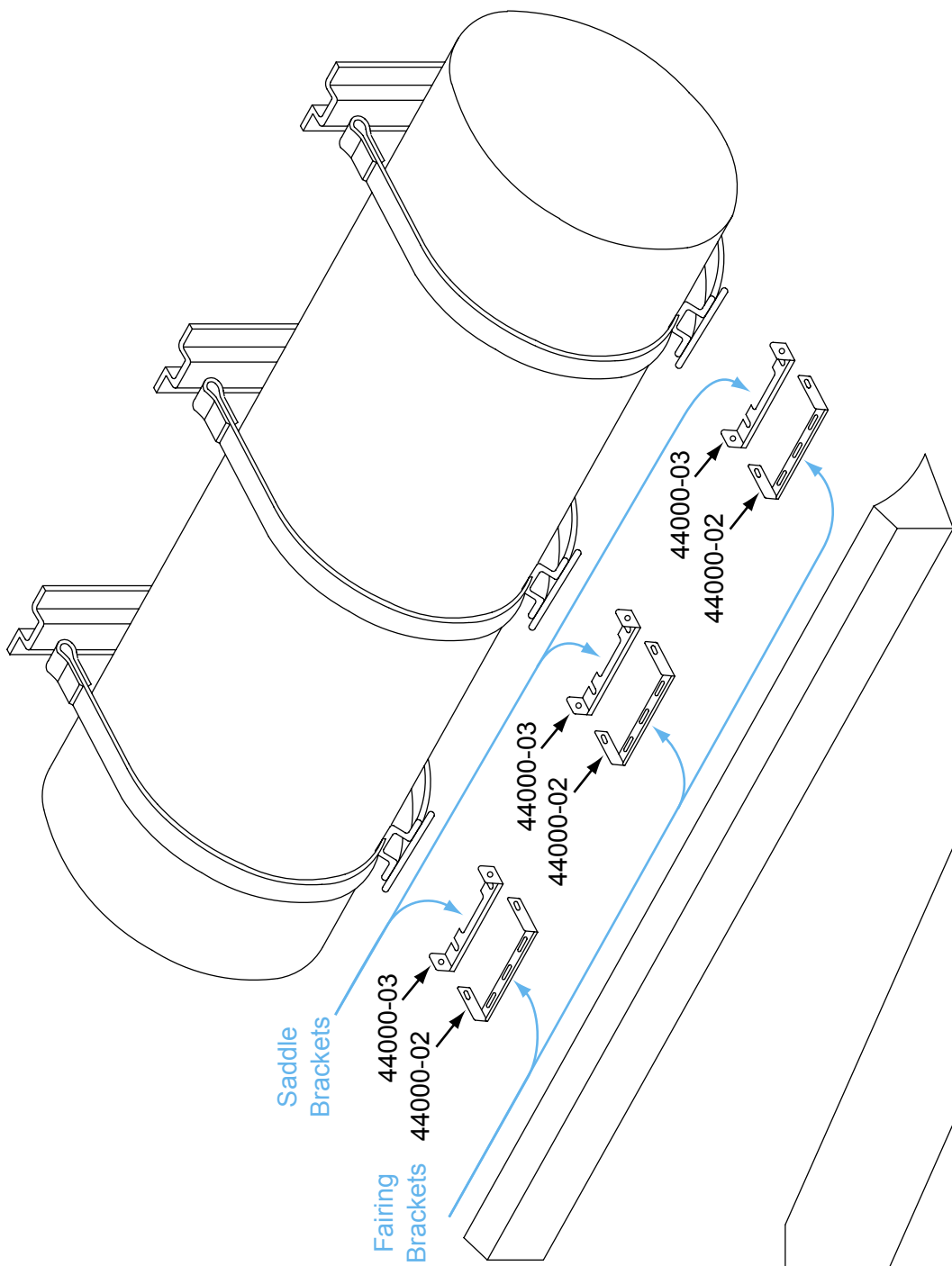


DIAGRAM #3

