

International 9900, 9900i, 9900ix, 5900i Replacement Grill with 23 Vertical Bars

Part Number: 55300

Before beginning the installation of your new RoadWorks® grill please verify that the grill you have purchased is for your model of truck. If the model of your truck does not match the description on the box label, call RoadWorks® Manufacturing, Inc. at 1-800-448-8741.

PLEASE READ THE DIRECTIONS COMPLETELY BEFORE BEGINNING.

Installation

1. Arrange the grill bars and surround pieces on a flat surface (see Diagram #1).
2. Remove the factory grill and its securing hardware. Set the grill assembly aside, it will be disassembled in step #7.
3. Peel the PVC from both -02 horizontal supports and arrange them on a flat surface. The arrows etched on the -02 supports need to be face up and pointing toward each other (see Diagram #1 on reverse side).
4. Install the -09 center grill bar on the -02 horizontal supports using ½" carriage bolts, flat washers, and lock nuts. Using the same hardware, install the -14 to the right and the -16 to the left of the center grill bar. For your convenience, peel the PVC away from the bolt holes on the grill bars. Fully tighten these nuts.
5. Install the -13 on the far right side of the grill and the -15 on the far left side of the grill using ½" carriage bolts, flat washers, and lock nuts. Using the same hardware, install the remaining -01 grill bars on the open tabs. For your convenience, peel the PVC away from the bolt holes on the grill bars. Fully tighten these nuts.
6. Hold the fully assembled grill up to the truck to ensure the holes line up. If the holes do not line up, loosen the bolts on the bars to adjust as necessary.
7. Disassemble the factory grill by carefully removing the rivets in order to reuse the black screen portion of the grill.
8. Install the black factory screen as shown in Diagram #3 and #4 by using four 1" hex bolts, lock washers, flat washers, 55301-06 spacers, and ¾" well nuts. Loosely attach the ¾" well nuts to the 1" hex bolts keeping the wider end of the well nuts against the screen (see Diagram #3 and #4 on reverse side).
9. Open the hood. Position the grill fully onto the well nuts. The grill must be held in place while the bolts are tightened from inside the hood. Be careful not to overtighten these bolts. It may be helpful to have an additional person to hold the pieces in place.
10. Install the -03 retaining strip behind the center of the grill using 5/16" hex bolts, flat washers, and lock washers. Tighten these bolts.
11. Peel the remaining PVC from the grill bars
12. This completes the installation of your RoadWorks® grill.

International 9900, 9900i, 9900ix, 5900i Replacement Grill with Vertical Bars

DIAGRAM # 1

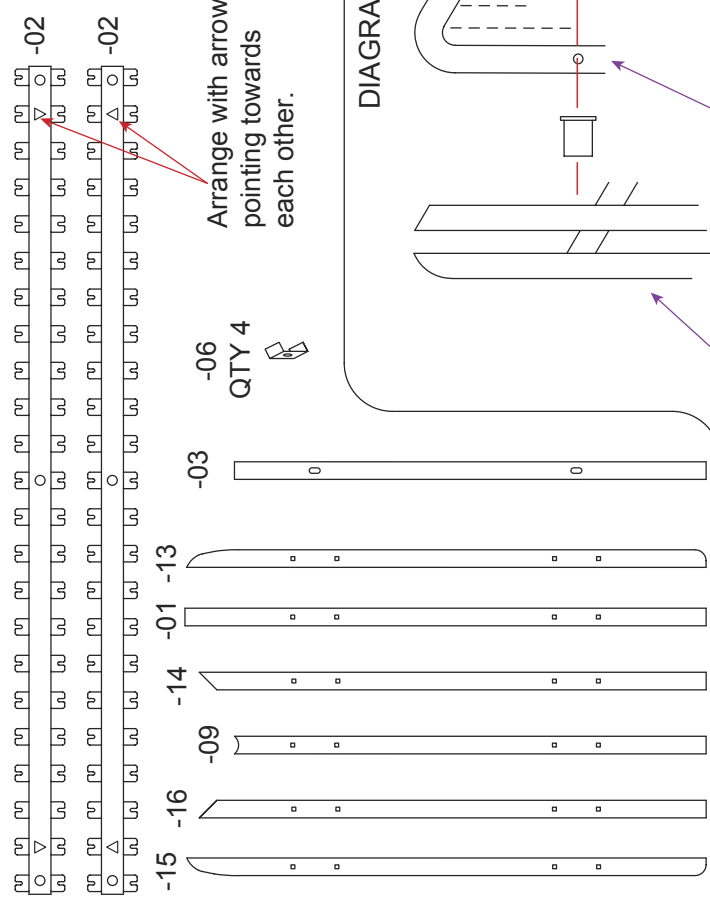


DIAGRAM # 2

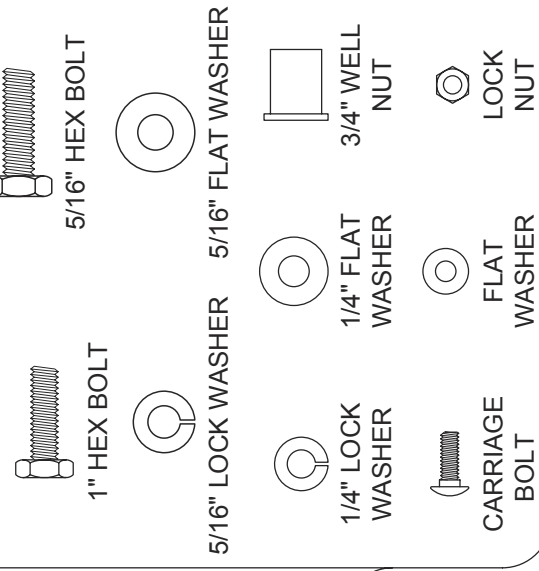


DIAGRAM # 3

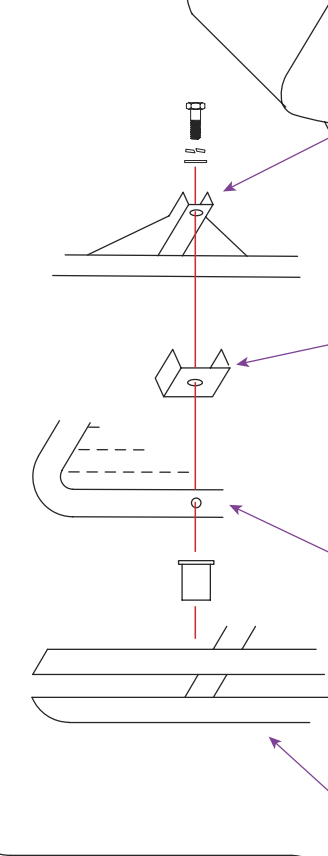


DIAGRAM # 4

