

Western Star Sleeper Rear Window Drop Visor

Part number 65400

Before beginning the installation of your new RoadWorks® rear window drop visor please verify the size of your truck's rear window, see the diagram below. If your rear window does not match the diagram, then you may not have the correct part. Call RoadWorks® Manufacturing, Inc. at 1-800-448-8741 for assistance in determining the correct part number. Please have the model, year, and size of the rear window of your truck ready when calling.

PLEASE READ THE DIRECTIONS COMPLETELY BEFORE BEGINNING.

Installation

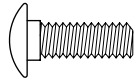
1. Remove the PVC film from of all four brackets. Do **NOT** remove the PVC film from the visor skins until step #7.
2. Using $\frac{3}{4}$ " hex bolts, flat washers, lock washers, and hex nuts join the left and right visor skins (65400-13 and 65400-15) together at the center. For your convenience, peel the PVC film away from the center mounting lip only.
3. Attach the 35400-01, 35400-14, and 35400-16 brackets to the back of the visor skins using $\frac{3}{4}$ " carriage bolts, flat washers, lock washers, and hex nuts. Do not fully tighten these bolts.
4. Hold the assembled visor up to the window in the desired location (see Diagram #3). Mark the holes through the oval slots for drilling.
5. Drill $\frac{1}{2}$ " holes on the marked locations, being careful not to damage the interior of the cab or sleeper.
6. Install the assembled visor over the window using the provided $1\frac{1}{4}$ " hex bolts, flat washers, lock washers, and 1" neoprene well nuts (see Diagram #2). Fully tighten these six bolts, then tighten the remaining bolts from step #3.
7. Peel the PVC film from the visor skins. This completes the installation.

Western Star Sleeper Rear Window Drop Visor

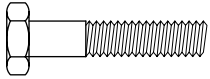
Hardware



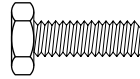
1" Neoprene Well Nut



3/4" Carriage Bolt



1 1/4" Hex Bolt



3/4" Hex Bolt



Lock Washer



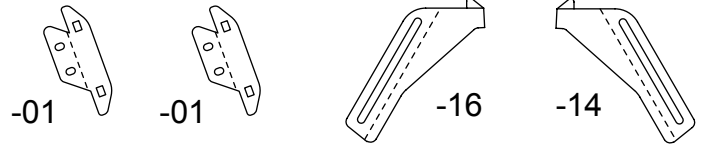
Flat Washer



Hex Nut

Diagram #1

Brackets



Visor Skins

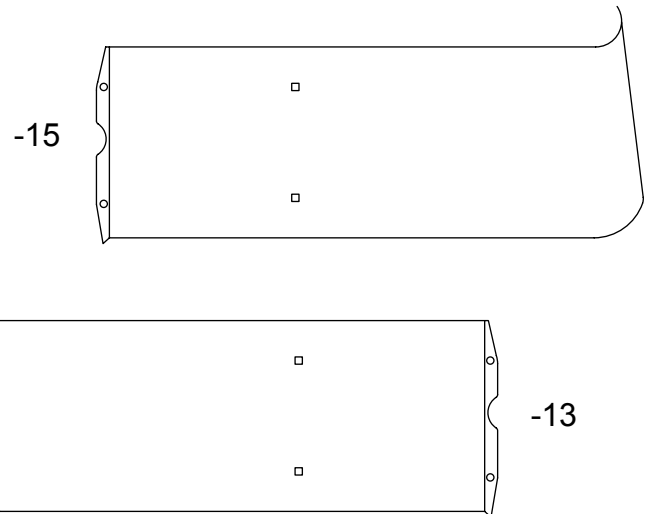


Diagram #2

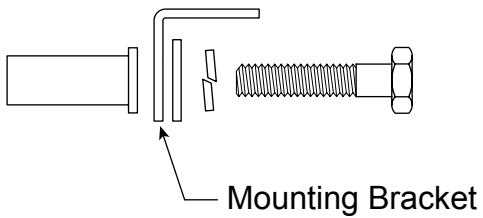


Diagram #3

