

# Freightliner Classic/FLD Grill with Vertical Bars

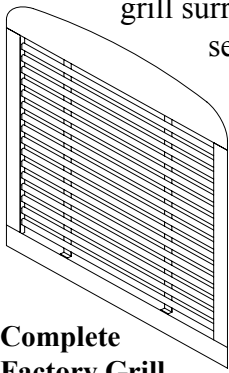
## Part number 25900

Before beginning the installation of your new RoadWorks® grill please verify that your truck is a Classic or FLD. If your truck is any model other than a Classic or FLD, this grill may not fit your truck. Please call RoadWorks® Manufacturing, Inc. at 1-800-448-8741.

**PLEASE READ THE DIRECTIONS COMPLETELY BEFORE BEGINNING.**

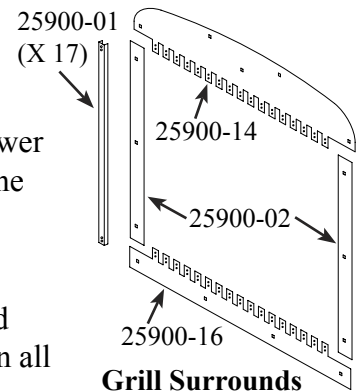
### Installation

1. Arrange the grill bars and surround pieces on a flat surface. The part numbers for the surround pieces are on the back of the parts and should be arranged as follows: 25900-14 is the upper grill surround, 25900-16 is the lower grill surround, the two 25900-02 are the right and left grill surrounds, the seventeen 25900-01 are the grill bars (see diagram to the right).



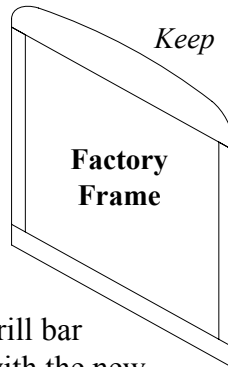
**Complete  
Factory Grill**

2. Carefully remove the complete factory grill from hood and remove the Freightliner logo (see diagram to the left). Retain all mounting hardware for step #11.



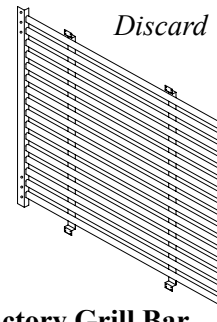
**Grill Surrounds**

3. Remove the factory grill bar assembly and black wire screen from the factory grill frame (see diagram to the right).
4. Remove the black wire screen from the factory grill bar assembly and set aside for step #9. Discard the factory grill bar assembly, this part will not be needed with the new grill.



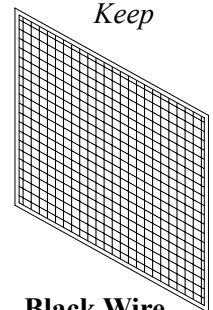
**Factory  
Frame**

*Keep*



**Factory Grill Bar  
Assembly**

*Discard*

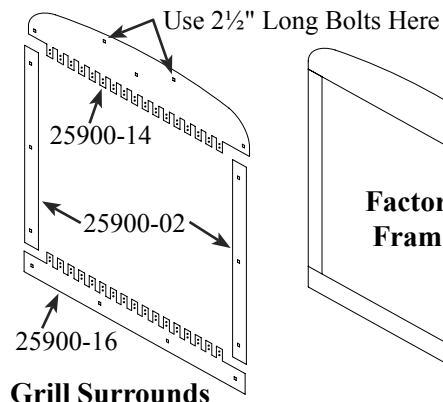


**Black Wire  
Screen**

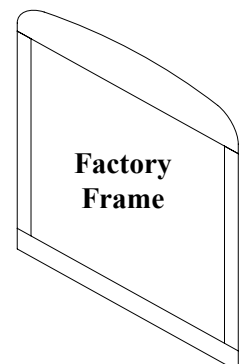
*Keep*

5. Place grill surrounds over factory frame (frame should be on a flat surface). Use the grill bars to verify that the grill surround pieces are in the correct positions. Mark the factory frame through the square holes on each surround piece. Drill the marked locations on the factory frame to 5/16" holes.

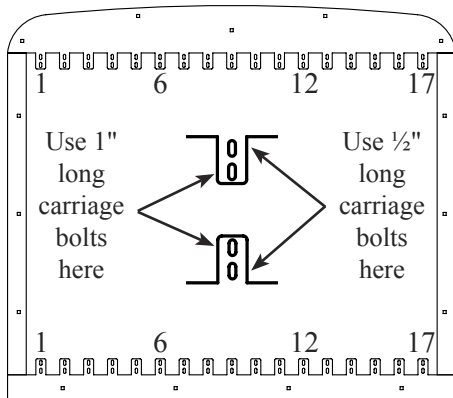
6. Peel the PVC film from the four grill surround pieces. Install the four grill surrounds to the factory frame using 1 1/4" carriage bolts, flat washers, lock washers, and hex nuts. Use 2 1/2" carriage bolts in the top 2 bolt holes in the surround (see diagram to the right). If you wish to reinstall the factory logo, drill from behind the factory frame through the upper stainless surround and reapply the logo.



**Grill Surrounds**



**Factory  
Frame**



7. Peel the PVC film away from the bolt holes of each grill bar. Install the first four grill bars at the 1st, 6th, 12th, and 17th positions using  $\frac{3}{16}$ " carriage bolts, flat washers, and locknuts. The outermost holes on the tabs use  $\frac{1}{2}$ " long carriage bolts and the innermost holes use 1" long carriage bolts (see diagram to the left). Fully tighten these bolts.

8. Install the remaining grill bars using  $\frac{3}{16}$ " x  $\frac{1}{2}$ " long carriage bolts, flat washers, and lock nuts. Fully tighten these bolts.

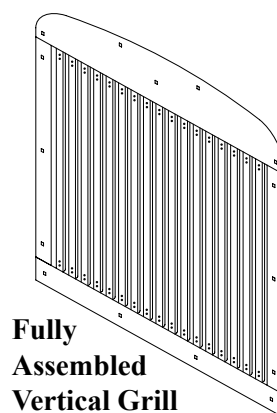
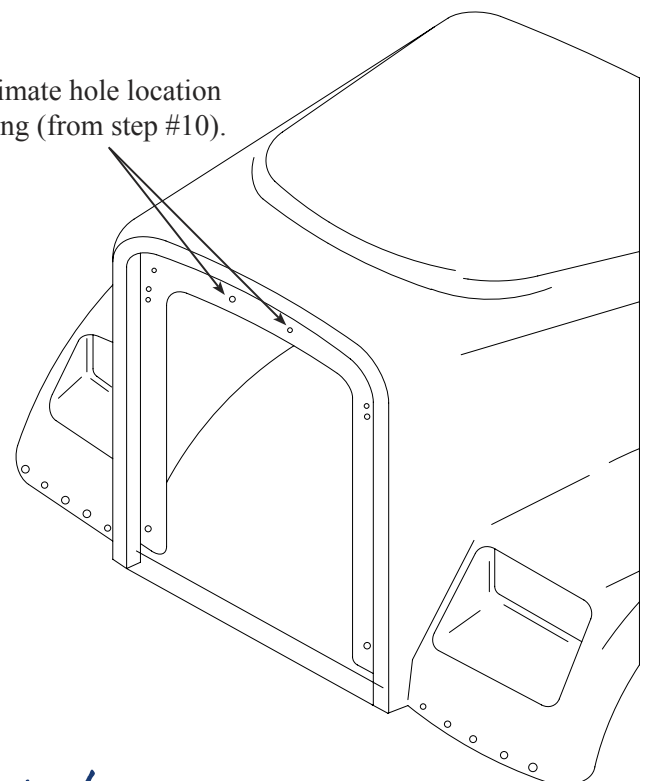
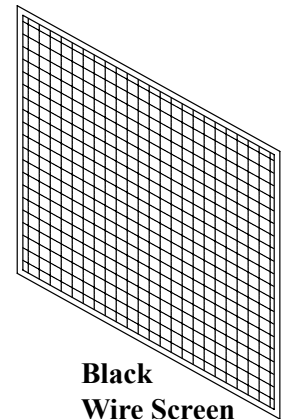
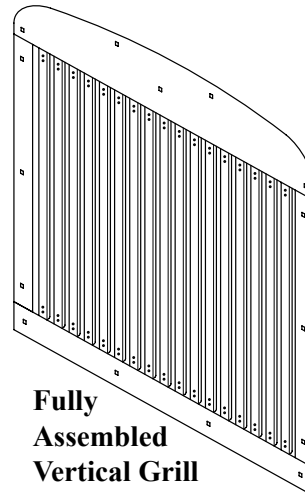
9. Place the black wire screen over the eight 1" long carriage bolts that were installed in step #7 and secure them with  $\frac{3}{16}$ " flat washers and locknuts.

10. Hold the fully assembled vertical grill in position on the front of the hood. Mark the locations where the top two  $2\frac{1}{2}$ " long carriage bolts from step #6 contact the front of the hood (see diagram below). Drill the marked locations to  $\frac{5}{16}$ " holes.

11. Open the hood. Install the fully assembled vertical grill on the front of the hood using hardware removed in step #2. It may be helpful to have an additional person to hold the grill in place.

12. Secure the top two  $2\frac{1}{2}$ " long carriage bolts from step #6 and #10 using two  $\frac{1}{4}$ " flat washers and  $\frac{1}{4}$ " locknuts. Be careful not to overtighten these locknuts.

13. Peel the PVC film from the grill bars. This completes the installation of your RoadWorks® grill.



*Thank you for choosing RoadWorks stainless steel accessories!*