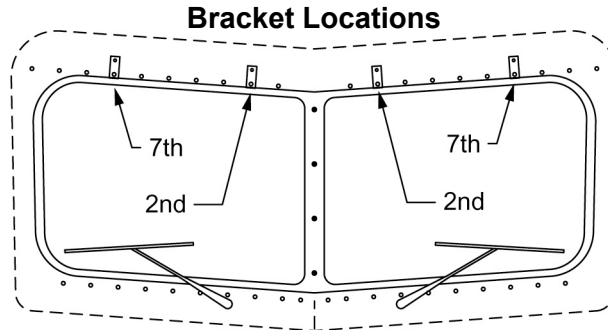


Bow-Tie Visor for Peterbilt 359, 1973 & Newer

Part number 35042

Before beginning the installation of your new RoadWorks® visor please check your truck's mounting brackets to see if they match the bracket locations shown in the diagram below. If your mounting brackets do not match the diagram, then you do not have the correct visor. Call RoadWorks® Manufacturing, Inc. at 1-800-448-8741 for assistance in determining the correct part number. Please have the model, year, and bracket locations of your truck ready when calling.



PLEASE READ THE DIRECTIONS COMPLETELY BEFORE BEGINNING.

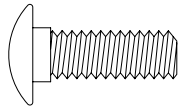
Once you have determined that you have the proper replacement visor for your truck, proceed with the removal of your old visor and brackets. The factory brackets may be removed by grinding off the huck bolts that hold the brackets. Caution: Be careful not to overheat the huck bolt or bracket while grinding. Also, cover the windshield to protect it from grinding debris.

Installation

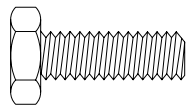
1. Drill out the top hole only of each bracket location to $\frac{1}{2}$ " diameter to accommodate the neoprene well nut. Drill out the bottom hole only to $\frac{9}{32}$ " to accommodate the $\frac{1}{4}$ " carriage bolts (See Diagram #2). Be careful not to allow the drill bit to penetrate the cab beyond the outer shell to avoid damage to the inside of the headliner area.
2. Install the new brackets using the hardware provided. Diagram #3 shows the proper placement and orientation of the brackets. Each bracket top hole is secured to the cab using one $\frac{3}{4}$ " hex bolt, flat washer, lock washer, and neoprene well nut. Each bracket bottom hole is secured using one $\frac{3}{4}$ " carriage bolt, flat washer, lock washer, and hex nut. See Diagram #2 & #4 for hardware and well nut location. Tighten the brackets firmly to the cab.
3. Install the first visor skin using the provided carriage bolts, flat washers, lock washers, and nuts. Do not fully tighten these bolts. Repeat for the other skin. For convenience peel the PVC away from the center joint only.
4. With both skins in place join them together at the center using two $\frac{3}{4}$ " hex bolts, flat washers, lock washers, and hex nuts. Fully tighten the center bolts only.
5. Bolt the sides of the visor to the cab using four $\frac{3}{4}$ " long hex bolts and flat washers and lock washers.
6. Tighten the carriage bolts that hold each visor skin to the brackets (from step 3).
7. Peel PVC film from visor skins and brackets. This completes the installation.

PETERBILT 359 BOW-TIE VISOR

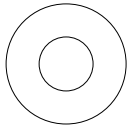
DIAGRAM #1 **HARDWARE**



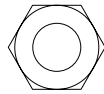
(8) 3/4"
CARRIAGE BOLT



(10) 3/4"
HEX BOLT



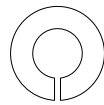
(22) FLAT
WASHER



(14) HEX
NUT



(4) NEOPRENE
WELL NUT



(22) LOCK
WASHER

DIAGRAM #2

INSTALLED BRACKETS (SIDE VIEW)

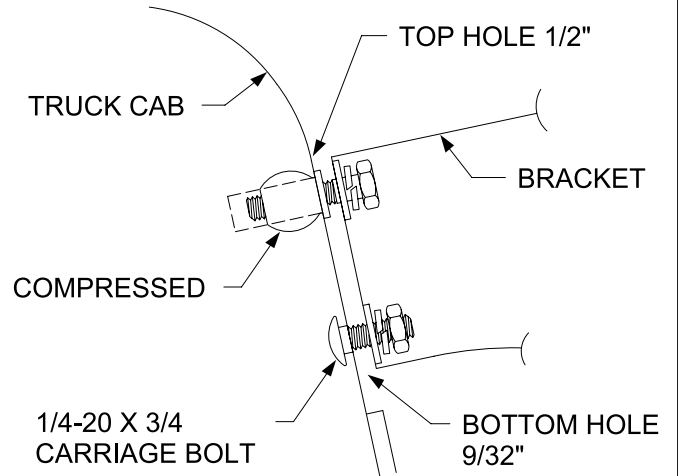


DIAGRAM #3

LONGER
BRACKETS

SHORTER
BRACKETS

BRACKET ORIENTATION

DIAGRAM #4

WELL NUT INSTALLATION

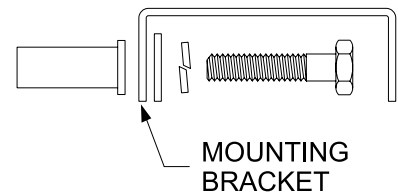
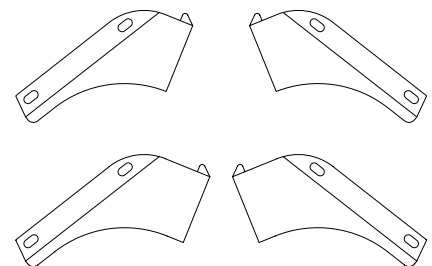


DIAGRAM #5

PASSENGER'S SIDE

DRIVER'S SIDE



MOUNTING BRACKETS