

# International Day Cab Rear Window Louver-style Shade (8 Louvers)

*Part number 55450*

Before beginning the installation of your new RoadWorks® rear window shade please verify the size of your truck's rear window is 37" X 20". If your rear window does not match these dimensions, then you may not have the correct part. Call RoadWorks® Manufacturing, Inc. at 1-800-448-8741 for assistance in determining the correct part number. Please have the model, year, and size of the rear window of your truck ready when calling.

**PLEASE READ THE DIRECTIONS COMPLETELY BEFORE BEGINNING.**

## **Installation**

1. Remove the PVC film from the mounting brackets. Do **NOT** remove the PVC film from the louvers until step #6.
2. Arrange the louvers and brackets on a flat surface (see Diagram #1). The oval slots on the brackets should point inward (see Diagram #2). Secure the 8 louvers tightly to the brackets using the provided ½" carriage bolts, flat washers, lock washers, and nuts.
3. Hold the assembled window shade over the window in the desired location (see Diagram #4). Mark the holes through the oval slots for drilling.
4. Drill ½" holes on the marked locations, being careful not to damage the interior of the cab or sleeper.
5. Install the assembled window shade over the window using the provided hex bolts, flat washer, lock washer, and 1" neoprene well nut (see Diagram #3). Fully tighten these four bolts.
6. Peel PVC film from the louvers. This completes the installation.

# International Day Cab Rear Window Louver-Style Shade (8 Louvers)

## INCLUDED HARDWARE

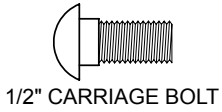
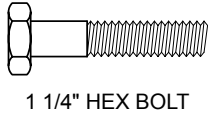
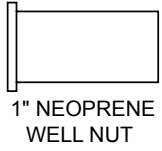


DIAGRAM #1

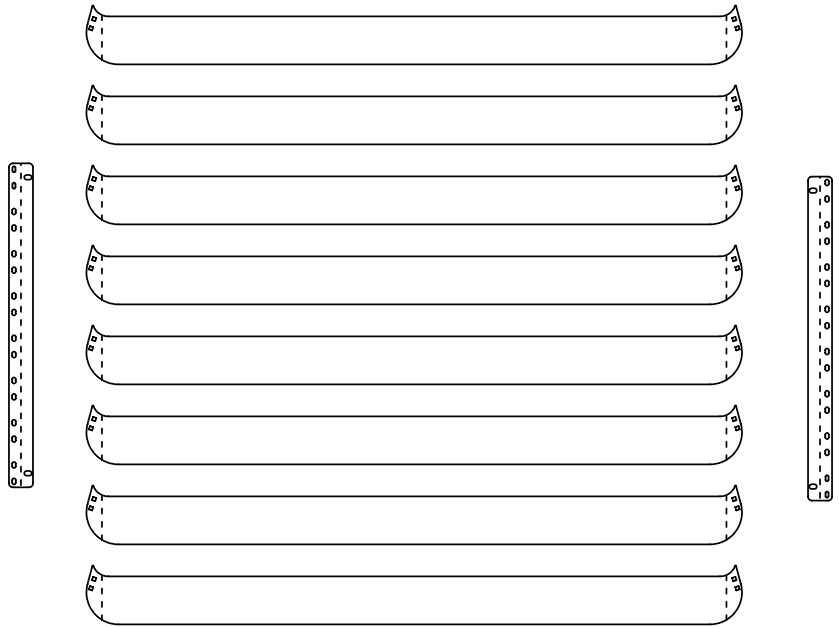
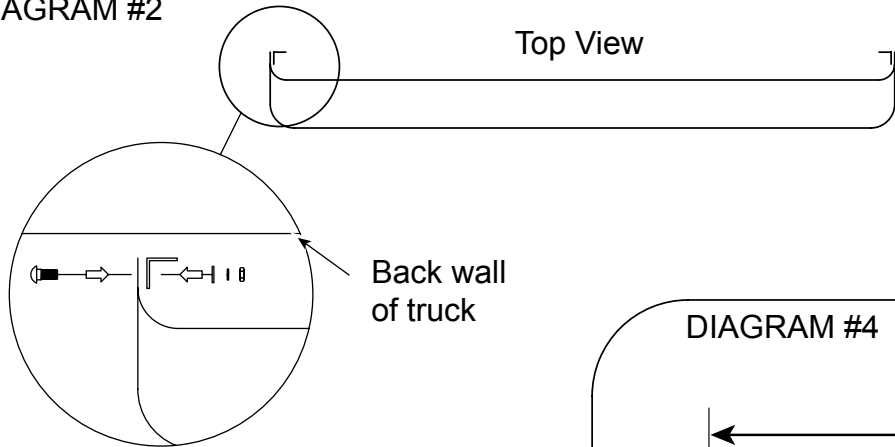


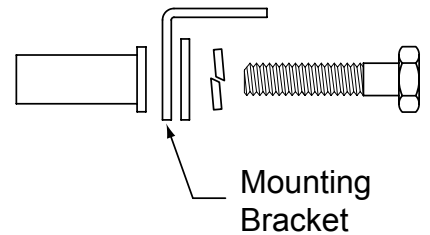
DIAGRAM #2



Top View

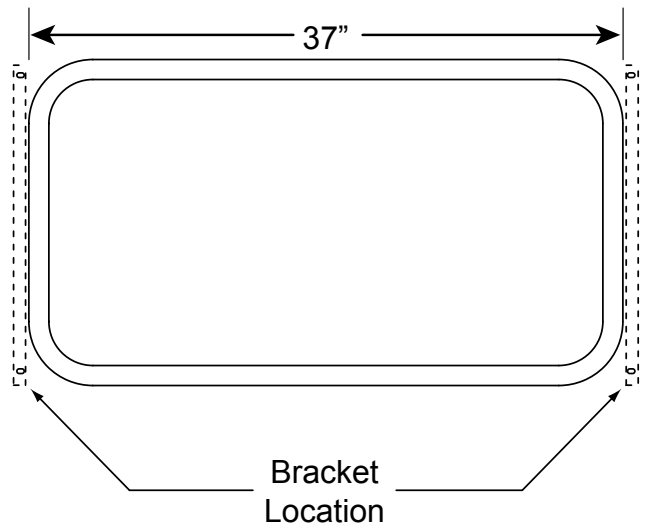
Back wall  
of truck

DIAGRAM #3

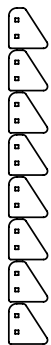


Mounting  
Bracket

DIAGRAM #4



Bracket  
Location



Side view  
assembled